

Characteristics

- Material**
- Sheet Steel (EN 10130 DC01)
    - Body : 1.5 mm
    - Door : 2 mm
    - Plinth : 2 mm
  - Galvanized Steel (EN 10346 DX51D+Z)
    - Mounting plate : 2 mm
- Surface Finishing**
- RAL7035w powder coating
- IP Rating**
- IP65 (TS 3033, EN 60529)
- Others**
- 10 folded and welded monobloc body
  - Foamed-in door PU sealing gasket
  - Swing-handle polyamide lock (3 points locking, 333 key)
  - Concealed hinge
  - Multiple mounting plate possibility
  - Plinth and cover options



On Request

- Special sizes
- Special colour
- Pre-punching
- Glazed door

Supply Includes

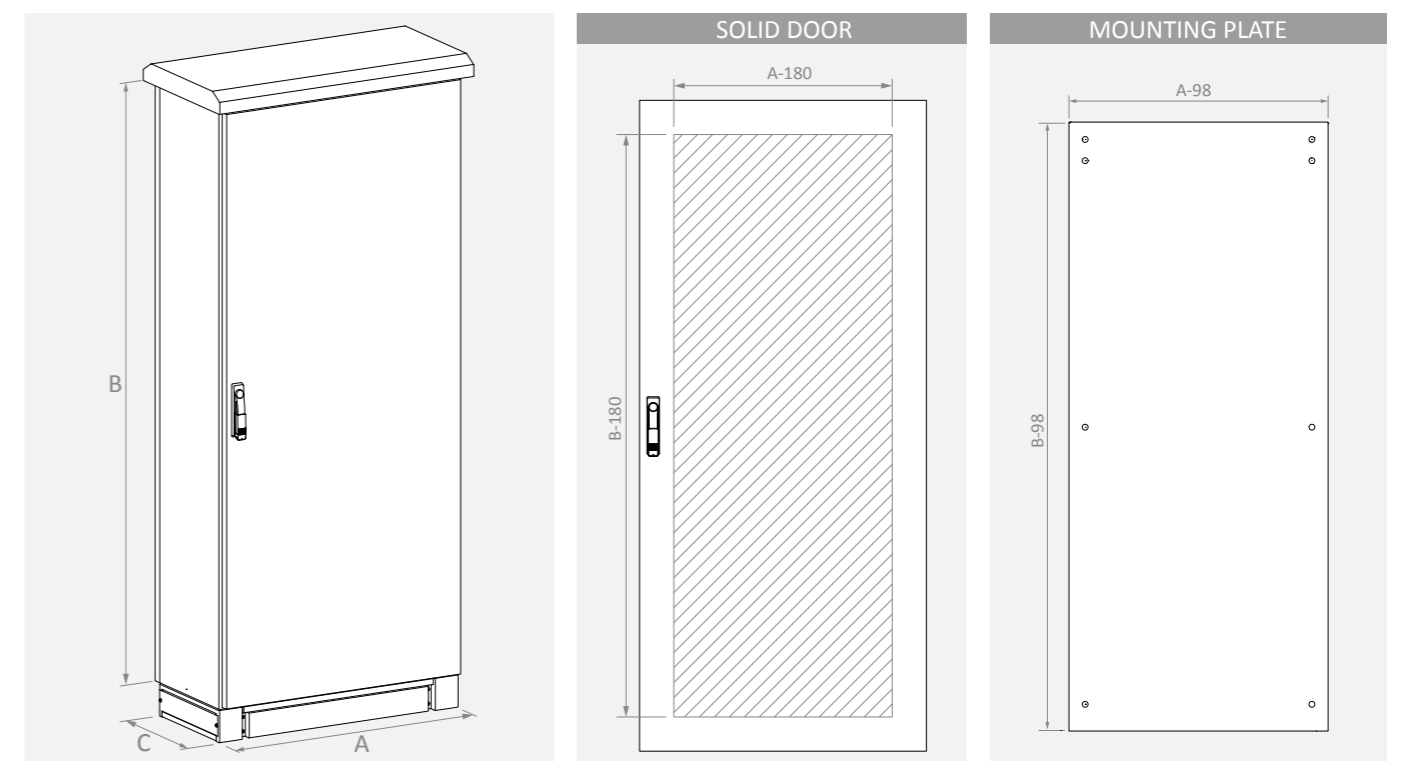
- Body
- Door
- Rear panel
- Mounting plate
- Plinth
- 4/6 pcs side rails

Complementary Accessories

- Rain canopy
- Door inside mounting profile
- Partial mounting plate
- Carriage depth slide and support
- L, U and Z profiles
- L and Z brackets
- Plan pocket
- Earthing cable



| Width<br>A | Height<br>B | Depth<br>C | Reference | Door<br>pcs | Hinge<br>pcs | Door Useful Area |         | Mounting Plate |         |
|------------|-------------|------------|-----------|-------------|--------------|------------------|---------|----------------|---------|
|            |             |            |           |             |              | ↔<br>mm          | ↕<br>mm | ↔<br>mm        | ↕<br>mm |
| 600        | 600         | 400        | MS 060640 | 1           | 3            | 420              | 420     | 502            | 502     |
|            | 900         | 400        | MS 060940 | 1           | 3            | 420              | 720     | 502            | 802     |
|            | 1200        | 400        | MS 061240 | 1           | 3            | 420              | 1020    | 502            | 1102    |
|            | 1500        | 400        | MS 061540 | 1           | 3            | 420              | 1320    | 502            | 1402    |
|            |             | 500        | MS 061550 | 1           | 3            | 420              | 1320    | 502            | 1402    |
|            |             | 600        | MS 061560 | 1           | 3            | 420              | 1320    | 502            | 1402    |
|            | 1800        | 400        | MS 061840 | 1           | 3            | 420              | 1620    | 502            | 1702    |
|            |             | 500        | MS 061850 | 1           | 3            | 420              | 1620    | 502            | 1702    |
|            |             | 600        | MS 061860 | 1           | 3            | 420              | 1620    | 502            | 1702    |
|            | 2000        | 400        | MS 062040 | 1           | 3            | 420              | 1820    | 502            | 1902    |
|            |             | 500        | MS 062050 | 1           | 3            | 420              | 1820    | 502            | 1902    |
|            |             | 600        | MS 062060 | 1           | 3            | 420              | 1820    | 502            | 1902    |
| 800        | 600         | 400        | MS 080640 | 1           | 3            | 620              | 420     | 702            | 502     |
|            | 900         | 400        | MS 080940 | 1           | 3            | 620              | 720     | 702            | 802     |
|            | 1200        | 400        | MS 081240 | 1           | 3            | 620              | 1020    | 702            | 1102    |
|            | 1500        | 400        | MS 081540 | 1           | 3            | 620              | 1320    | 702            | 1402    |
|            |             | 500        | MS 081550 | 1           | 3            | 620              | 1320    | 702            | 1402    |
|            |             | 600        | MS 081560 | 1           | 3            | 620              | 1320    | 702            | 1402    |
|            | 1800        | 400        | MS 081840 | 1           | 3            | 620              | 1620    | 702            | 1702    |
|            |             | 500        | MS 081850 | 1           | 3            | 620              | 1620    | 702            | 1702    |
|            |             | 600        | MS 081860 | 1           | 3            | 620              | 1620    | 702            | 1702    |
|            | 2000        | 400        | MS 082040 | 1           | 3            | 620              | 1820    | 702            | 1902    |
|            |             | 500        | MS 082050 | 1           | 3            | 620              | 1820    | 702            | 1902    |
|            |             | 600        | MS 082060 | 1           | 3            | 620              | 1820    | 702            | 1902    |
| 1000       | 1800        | 400        | MS 101840 | 1           | 3            | 820              | 1620    | 902            | 1702    |
|            |             | 500        | MS 101850 | 1           | 3            | 820              | 1620    | 902            | 1702    |
|            |             | 600        | MS 101860 | 1           | 3            | 820              | 1620    | 902            | 1702    |
|            | 2000        | 400        | MS 102040 | 1           | 3            | 820              | 1820    | 902            | 1902    |
|            |             | 500        | MS 102050 | 1           | 3            | 820              | 1820    | 902            | 1902    |
|            |             | 600        | MS 102060 | 1           | 3            | 820              | 1820    | 902            | 1902    |

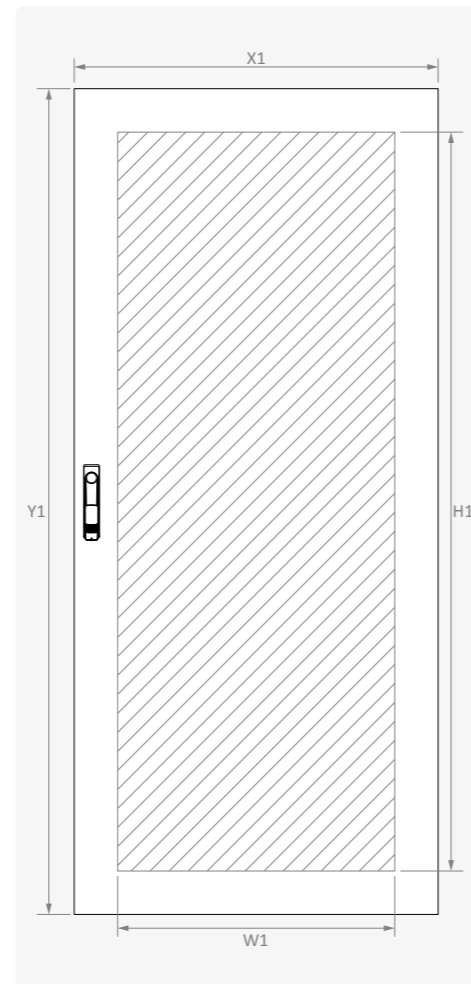


SOLID DOOR

| Reference  | Width |      | Height |       | Useful Area |       | Door | Lock Type | Hinge | Weight |
|------------|-------|------|--------|-------|-------------|-------|------|-----------|-------|--------|
|            | A mm  | B mm | X1 mm  | Y1 mm | W1 mm       | H1 mm |      |           |       |        |
| MS KP 0606 | 600   | 600  | 576    | 576   | 420         | 420   | 1    | I         | 3     | 5.3    |
| MS KP 0609 | 600   | 900  | 576    | 876   | 420         | 720   | 1    | I         | 3     | 8      |
| MS KP 0612 | 600   | 1200 | 576    | 1176  | 420         | 1020  | 1    | I         | 3     | 10.8   |
| MS KP 0615 | 600   | 1500 | 576    | 1476  | 420         | 1320  | 1    | I         | 3     | 13.6   |
| MS KP 0618 | 600   | 1800 | 576    | 1776  | 420         | 1620  | 1    | I         | 3     | 16.3   |
| MS KP 0620 | 600   | 2000 | 576    | 1976  | 420         | 1820  | 1    | I         | 3     | 18.2   |
| MS KP 0806 | 800   | 600  | 776    | 576   | 620         | 420   | 1    | I         | 3     | 7.15   |
| MS KP 0809 | 800   | 900  | 776    | 876   | 620         | 720   | 1    | I         | 3     | 10.8   |
| MS KP 0812 | 800   | 1200 | 776    | 1176  | 620         | 1020  | 1    | I         | 3     | 14.6   |
| MS KP 0815 | 800   | 1500 | 776    | 1476  | 620         | 1320  | 1    | I         | 3     | 18.2   |
| MS KP 0818 | 800   | 1800 | 776    | 1776  | 620         | 1620  | 1    | I         | 3     | 22     |
| MS KP 0820 | 800   | 2000 | 776    | 1976  | 620         | 1820  | 1    | I         | 3     | 24.5   |
| MS KP 1018 | 1000  | 1800 | 976    | 1776  | 820         | 1620  | 1    | I         | 3     | 27.7   |
| MS KP 1020 | 1000  | 2000 | 976    | 1976  | 820         | 1820  | 1    | I         | 3     | 30.8   |

| Characteristics   |                         |
|-------------------|-------------------------|
| Material          | DIN EN 10130 DC01 CCRS  |
| Surface Finishing | RAL7035w powder coating |
| Thickness         | 2 mm                    |

| Supply Includes           |  |
|---------------------------|--|
| Lock                      |  |
| Hinges                    |  |
| * I: Escutcheon Rod-latch |  |

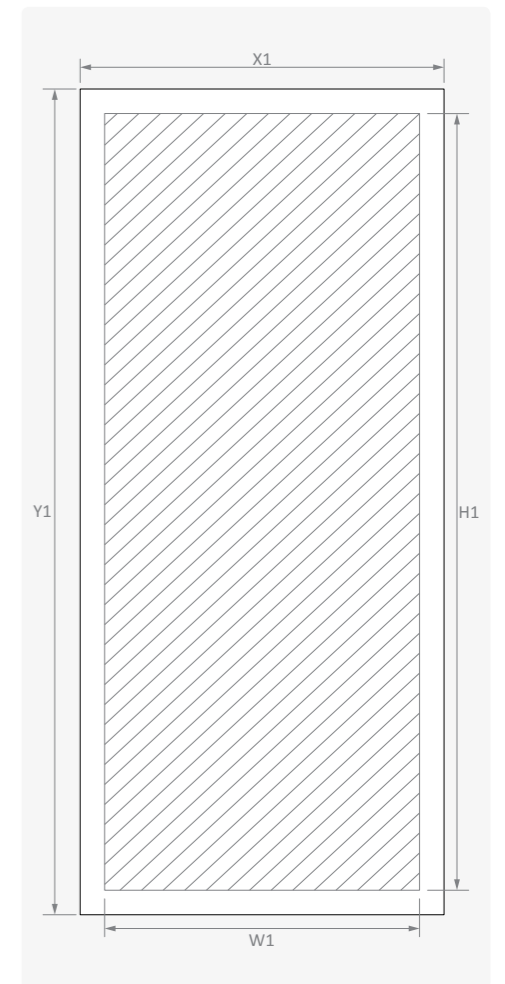


REAR PANEL

| Reference  | Width |      | Height |       | Useful Area |       | Weight |
|------------|-------|------|--------|-------|-------------|-------|--------|
|            | A mm  | B mm | X1 mm  | Y1 mm | W1 mm       | H1 mm |        |
| MS ST 0606 | 600   | 600  | 594    | 594   | 510         | 510   | 5.1    |
| MS ST 0609 | 600   | 900  | 594    | 894   | 510         | 810   | 7.1    |
| MS ST 0612 | 600   | 1200 | 594    | 1194  | 510         | 1110  | 9.4    |
| MS ST 0615 | 600   | 1500 | 594    | 1494  | 510         | 1410  | 11.5   |
| MS ST 0618 | 600   | 1800 | 594    | 1794  | 510         | 1710  | 13.8   |
| MS ST 0620 | 600   | 2000 | 594    | 1994  | 510         | 1910  | 15.4   |
| MS ST 0806 | 800   | 600  | 794    | 594   | 710         | 510   | 6.4    |
| MS ST 0809 | 800   | 900  | 794    | 894   | 710         | 810   | 7.4    |
| MS ST 0812 | 800   | 1200 | 794    | 1194  | 710         | 1110  | 12.3   |
| MS ST 0815 | 800   | 1500 | 794    | 1494  | 710         | 1410  | 15.4   |
| MS ST 0818 | 800   | 1800 | 794    | 1794  | 710         | 1710  | 18.2   |
| MS ST 0820 | 800   | 2000 | 794    | 1994  | 710         | 1910  | 20.3   |
| MS ST 1018 | 1000  | 1800 | 994    | 1794  | 910         | 1710  | 22.6   |
| MS ST 1020 | 1000  | 2000 | 994    | 1994  | 910         | 1910  | 24.9   |

| Characteristics   |                         |
|-------------------|-------------------------|
| Material          | DIN EN 10130 DC01 CCRS  |
| Surface Finishing | RAL7035w powder coating |
| Thickness         | 1.5 mm                  |

| Supply Includes      |  |
|----------------------|--|
| Rear panel fasteners |  |



MOUNTING PLATE

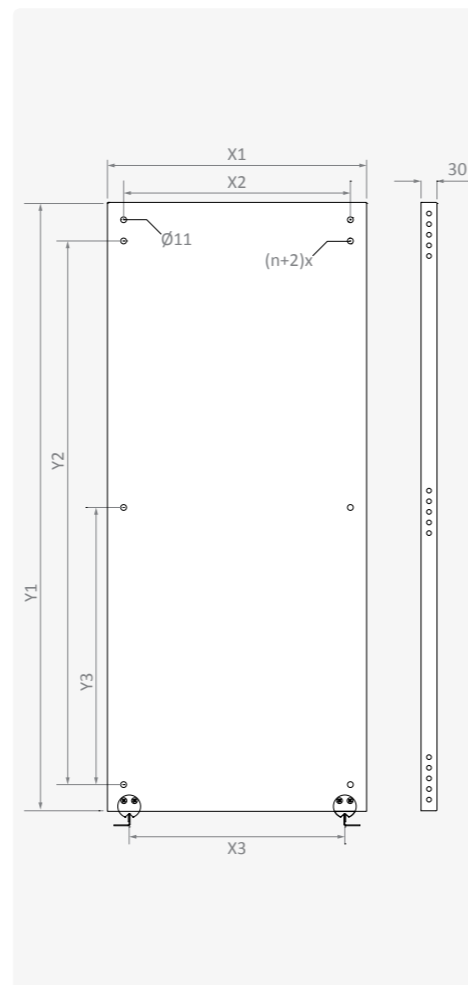
| Reference  | Width |      | Wide | Length | Mounting Dimensions |      |     |     | Connection | Weight |
|------------|-------|------|------|--------|---------------------|------|-----|-----|------------|--------|
|            | A     | B    |      |        | X2                  | Y2   | X3  | Y3  |            |        |
| AS TS 0606 | 600   | 600  | 502  | 502    | 441                 | 380  | 420 | -   | 4          | 5.0    |
| AS TS 0609 | 600   | 900  | 502  | 802    | 441                 | 680  | 420 | -   | 4          | 7.8    |
| AS TS 0612 | 600   | 1200 | 502  | 1102   | 441                 | 980  | 420 | -   | 4          | 10.5   |
| AS TS 0615 | 600   | 1500 | 502  | 1402   | 441                 | 1280 | 420 | 650 | 6          | 13.3   |
| AS TS 0618 | 600   | 1800 | 502  | 1702   | 441                 | 1580 | 420 | 800 | 6          | 16.0   |
| AS TS 0620 | 600   | 2000 | 502  | 1902   | 441                 | 1780 | 420 | 900 | 6          | 17.8   |
| AS TS 0806 | 800   | 600  | 702  | 502    | 641                 | 380  | 620 | -   | 4          | 6.8    |
| AS TS 0809 | 800   | 900  | 702  | 802    | 641                 | 680  | 620 | -   | 4          | 10.5   |
| AS TS 0812 | 800   | 1200 | 702  | 1102   | 641                 | 980  | 620 | -   | 4          | 14.2   |
| AS TS 0815 | 800   | 1500 | 702  | 1402   | 641                 | 1280 | 620 | 650 | 6          | 17.9   |
| AS TS 0818 | 800   | 1800 | 702  | 1702   | 641                 | 1580 | 620 | 800 | 6          | 21.6   |
| AS TS 0820 | 800   | 2000 | 702  | 1902   | 641                 | 1780 | 620 | 900 | 6          | 24.2   |
| AS TS 1018 | 1000  | 1800 | 902  | 1702   | 841                 | 1580 | 820 | 800 | 6          | 27.2   |
| AS TS 1020 | 1000  | 2000 | 902  | 1902   | 841                 | 1780 | 820 | 900 | 6          | 30.3   |

**Characteristics**

|           |                                 |
|-----------|---------------------------------|
| Material  | DIN EN 10327 DX51D+Z galvanized |
| Thickness | 2 mm                            |

**Supply Includes**

- Mounting screws
- Carriage slide support and fasteners



PLINTH

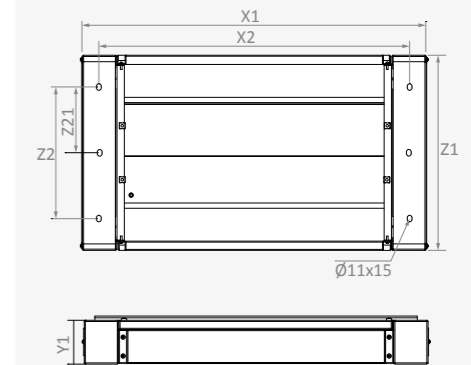
| Reference     | Width |     | Wide | Length | Height | Connection |     |     | Weight |
|---------------|-------|-----|------|--------|--------|------------|-----|-----|--------|
|               | A     | C   |      |        |        | X2         | Z2  | Z21 |        |
| AS Bx000604 1 | 600   | 400 | 600  | 345    | 100    | 525        | 200 | 100 | 8.1    |
| AS Bx000605 1 | 600   | 500 | 600  | 445    | 100    | 525        | 300 | 150 | 9.4    |
| AS Bx000606 1 | 600   | 600 | 600  | 545    | 100    | 525        | 400 | 200 | 10.8   |
| AS Bx000804 1 | 800   | 400 | 800  | 345    | 100    | 725        | 200 | 100 | 10.5   |
| AS Bx000805 1 | 800   | 500 | 800  | 445    | 100    | 725        | 300 | 150 | 11.8   |
| AS Bx000806 1 | 800   | 600 | 800  | 545    | 100    | 725        | 400 | 200 | 13.1   |
| AS Bx001004 1 | 1000  | 400 | 1000 | 345    | 100    | 925        | 200 | 100 | 14.2   |
| AS Bx001005 1 | 1000  | 500 | 1000 | 445    | 100    | 925        | 300 | 150 | 15.0   |
| AS Bx001006 1 | 1000  | 600 | 1000 | 545    | 100    | 925        | 400 | 200 | 15.5   |
| AS Bx000604 2 | 600   | 400 | 600  | 345    | 200    | 525        | 200 | 100 | 9.8    |
| AS Bx000605 2 | 600   | 500 | 600  | 445    | 200    | 525        | 300 | 150 | 11.1   |
| AS Bx000606 2 | 600   | 600 | 600  | 545    | 200    | 525        | 400 | 200 | 12.5   |
| AS Bx000804 2 | 800   | 400 | 800  | 345    | 200    | 725        | 200 | 100 | 12.2   |
| AS Bx000805 2 | 800   | 500 | 800  | 445    | 200    | 725        | 300 | 150 | 13.5   |
| AS Bx000806 2 | 800   | 600 | 800  | 545    | 200    | 725        | 400 | 200 | 14.8   |
| AS Bx001004 2 | 1000  | 400 | 1000 | 345    | 200    | 925        | 200 | 100 | 14.6   |
| AS Bx001005 2 | 1000  | 500 | 1000 | 445    | 200    | 925        | 300 | 150 | 15.9   |
| AS Bx001006 2 | 1000  | 600 | 1000 | 545    | 200    | 925        | 400 | 200 | 17.2   |

**Characteristics**

|                   |                         |
|-------------------|-------------------------|
| Material          | DIN EN 10130 DC01 CCRS  |
| Surface Finishing | RAL7035w powder coating |
| Thickness         | 2 mm                    |

**Supply Includes**

- Cover plates and mounting screws
- Plinth mounting fasteners



BOTTOM COVER PLATE

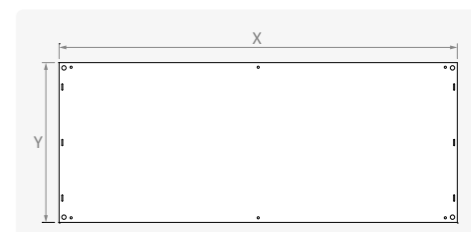
| Reference  | Width |     | Depth | Wide | Length | Weight |
|------------|-------|-----|-------|------|--------|--------|
|            | A     | X   |       |      |        |        |
| AS BS 0640 | 600   | 595 | 400   | 595  | 340    | 3.3    |
| AS BS 0650 | 600   | 595 | 500   | 595  | 440    | 4.3    |
| AS BS 0660 | 600   | 595 | 600   | 595  | 540    | 5.2    |
| AS BS 0840 | 800   | 795 | 400   | 795  | 340    | 4.4    |
| AS BS 0850 | 800   | 795 | 500   | 795  | 440    | 5.7    |
| AS BS 0860 | 800   | 795 | 600   | 795  | 540    | 6.9    |
| AS BS 1040 | 1000  | 995 | 400   | 995  | 340    | 5.5    |
| AS BS 1050 | 1000  | 995 | 500   | 995  | 440    | 7.1    |
| AS BS 1060 | 1000  | 995 | 600   | 995  | 540    | 8.6    |

**Characteristics**

|                   |                         |
|-------------------|-------------------------|
| Material          | DIN EN 10130 DC01 CCRS  |
| Surface Finishing | RAL7035w powder coating |
| Thickness         | 2 mm                    |

**Supply Includes**

- Bottom cover plates fasteners





RAIN CANOPY

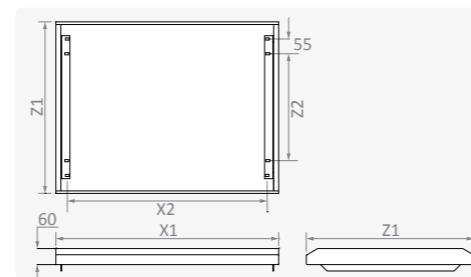
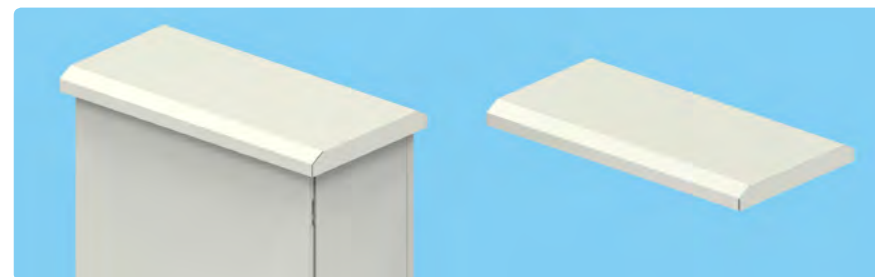
| Reference   | Width   | Depth   | Wide     |          | Length   |          | Weight<br>kg |
|-------------|---------|---------|----------|----------|----------|----------|--------------|
|             | A<br>mm | C<br>mm | X1<br>mm | Z1<br>mm | X2<br>mm | Z2<br>mm |              |
| AS SP 06 40 | 600     | 400     | 650      | 440      | 564      | 306      | 4.4          |
| AS SP 06 50 | 600     | 500     | 650      | 540      | 564      | 406      | 5.3          |
| AS SP 06 60 | 600     | 600     | 650      | 640      | 564      | 506      | 6.1          |
| AS SP 08 40 | 800     | 400     | 850      | 440      | 764      | 306      | 5.8          |
| AS SP 08 50 | 800     | 500     | 850      | 540      | 764      | 406      | 6.7          |
| AS SP 08 60 | 800     | 600     | 850      | 640      | 764      | 506      | 7.5          |
| AS SP 10 40 | 1000    | 400     | 1050     | 440      | 964      | 306      | 8.1          |
| AS SP 08 50 | 1000    | 500     | 1050     | 540      | 964      | 406      | 8.5          |
| AS SP 10 60 | 1000    | 600     | 1050     | 640      | 964      | 506      | 8.9          |

Characteristics

- Material: DIN EN 10130 DC01 CCRS
- Surface Finishing: RAL7035w powder coating
- Thickness: 1.2 mm

Supply Includes

- Mounting screws



CARRIAGE SLIDE

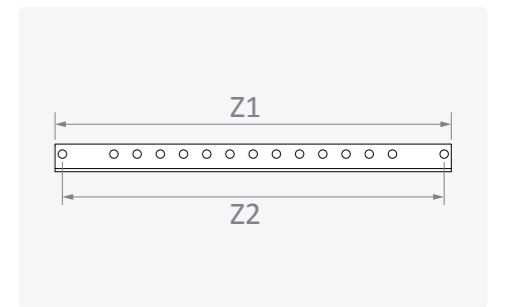
| Reference | Depth   | Length   | Connection | Connection<br>pcs | Weight<br>kg |
|-----------|---------|----------|------------|-------------------|--------------|
|           | C<br>mm | Z1<br>mm | Z2<br>mm   |                   |              |
| AS KK 040 | 400     | 274      | 211        | 12                | 0.2          |
| AS KK 050 | 500     | 374      | 311        | 17                | 0.3          |
| AS KK 060 | 600     | 474      | 411        | 22                | 0.4          |
| AS KK 080 | 800     | 674      | 611        | 32                | 0.5          |

Characteristics

- Material: DIN EN 10327 DX51D+Z galvanized
- Thickness: 2 mm

Supply Includes

- Mounting screws



SIDE RAILS

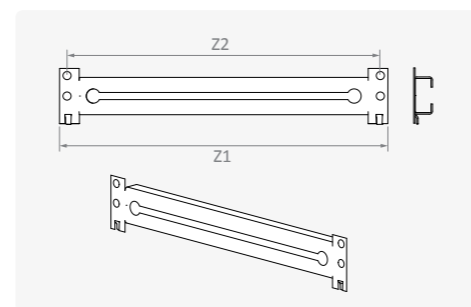
| Reference | Depth   | Length   | Connection | Weight<br>kg |
|-----------|---------|----------|------------|--------------|
|           | C<br>mm | Z1<br>mm | Z2<br>mm   |              |
| MS SR 040 | 400     | 324      | 31         | 0.3          |
| MS SR 050 | 500     | 424      | 41         | 0.4          |
| MS SR 060 | 600     | 524      | 51         | 0.5          |
| MS SR 080 | 800     | 624      | 61         | 0.7          |

Characteristics

- Material: DIN EN 10327 DX51D+Z galvanized
- Thickness: 1.5 mm

Supply Includes

- Mounting screws

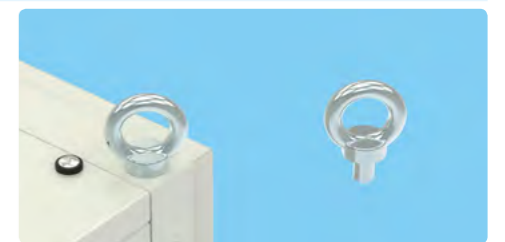


EYE BOLT

| Reference | Connection | Int. Diameter | Packet     | Weight    |
|-----------|------------|---------------|------------|-----------|
|           |            |               | pcs/packet | kg/packet |
| AS AH 020 | M12        | ∅ 30          | 4          | 1.0       |

Characteristics

- Material: C15E Forged steel
- Surface Finishing: Zinc coated Cr<sup>3</sup> passivation
- Standards: DIN 580



EARTHING CABLE

| Reference      | Material                                | Cross Section   | Length | Connection | Packet     | Weight    |
|----------------|---|-----------------|--------|------------|------------|-----------|
|                |   | mm <sup>2</sup> | mm     |            | pcs/packet | kg/packet |
| KB TP 16092750 | Nickel plated, braided copper conductor | 16              | 275    | M8-M8      | 50         | 0.2       |
| KB TP 16093500 |   | 16              | 320    | M8-M8      | 50         | 0.2       |

