

Characteristics

Material

Sheet Steel (EN 10130 DC01)

- Body : 1.2 mm

- Lid : 1.2 mm

Galvanized Steel (EN 10346 DX51D+Z)

- Mounting plate : 1.5 mm

Surface Finishing

- RAL7035w powder coating

IP Rating

- BK IP66 (TS 3033, EN 60529)

- BKP IP65 (TS 3033, EN 60529)

Others

- Fully welded construction

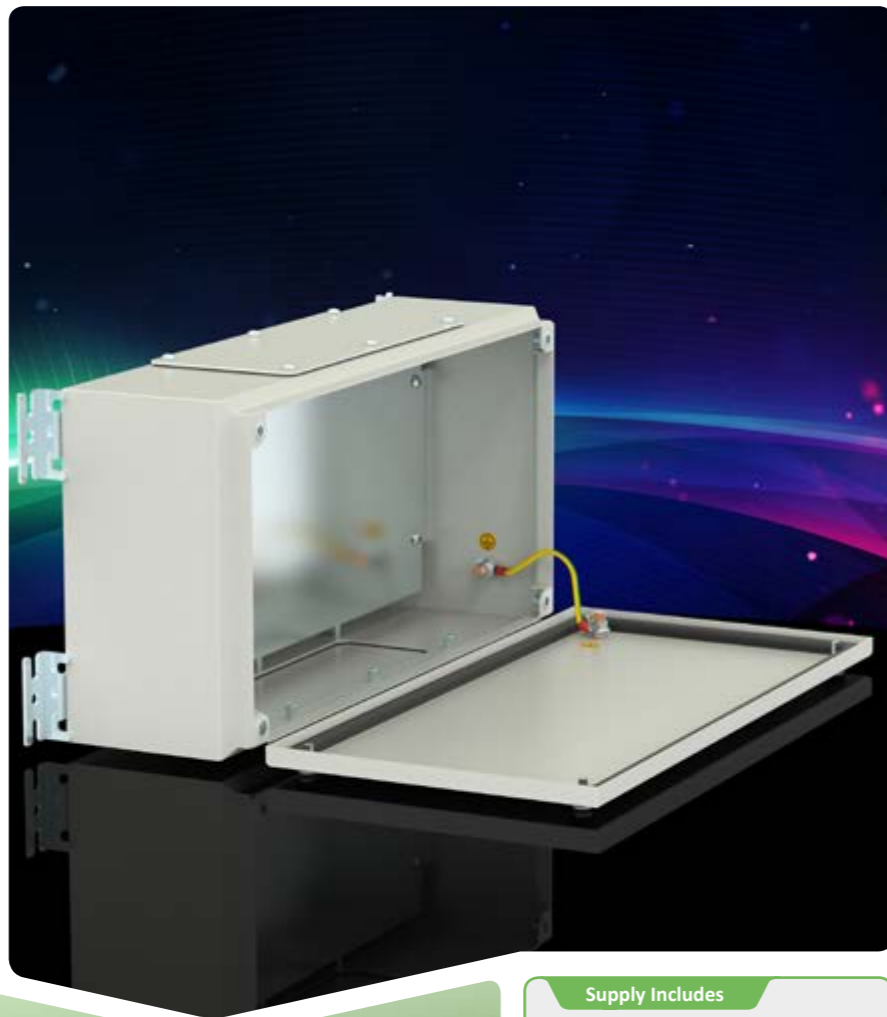
- Screwed plain lid

- Foamed-in lid PU sealing gasket

- Ready for DIN rail fixing

- Top and bottom gland plates

- One piece PE gasket for gland plate



On Request

- Special sizes

- Special colour

- Pre-punching

- Glazed lid

Supply Includes

- Body

- Lid

- Lid screws

- 2/4 pcs cable gland plate

Complementary Accessories

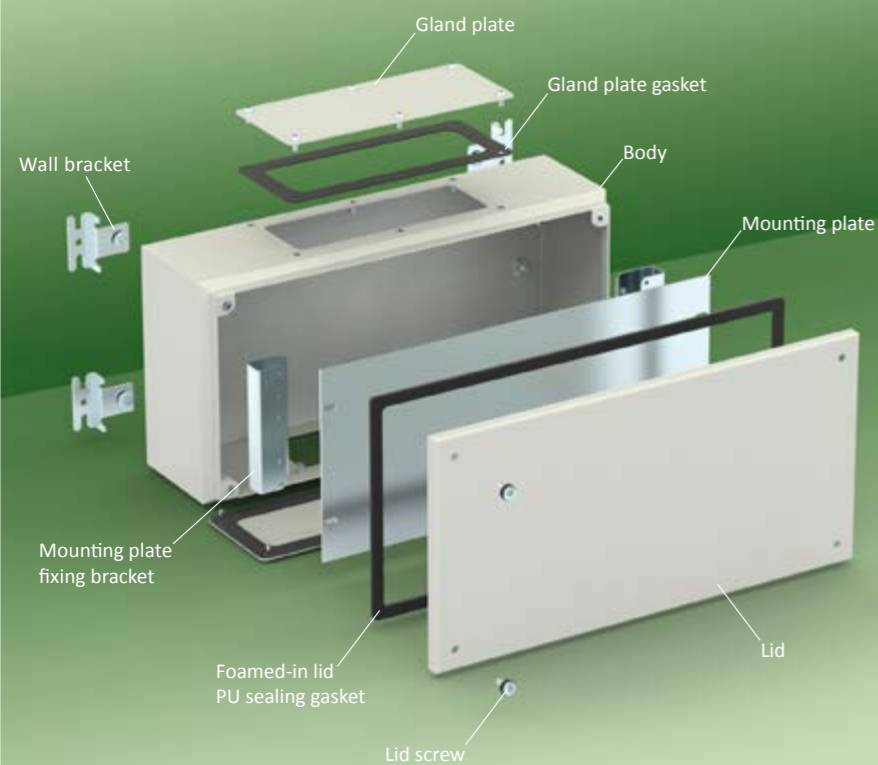
- DIN rail

- Mounting plate

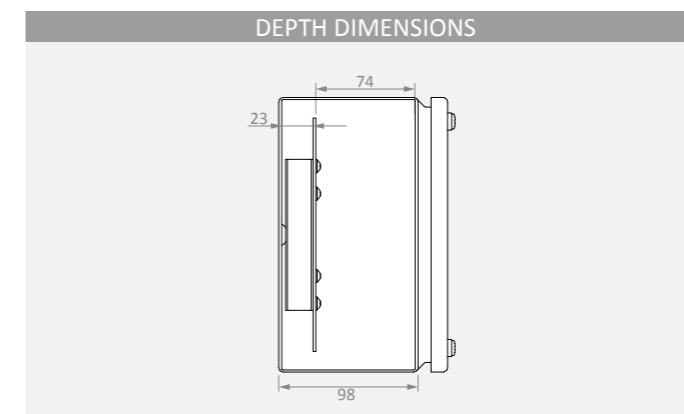
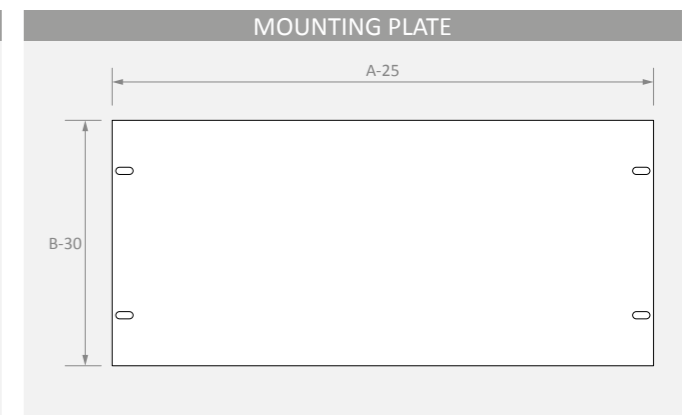
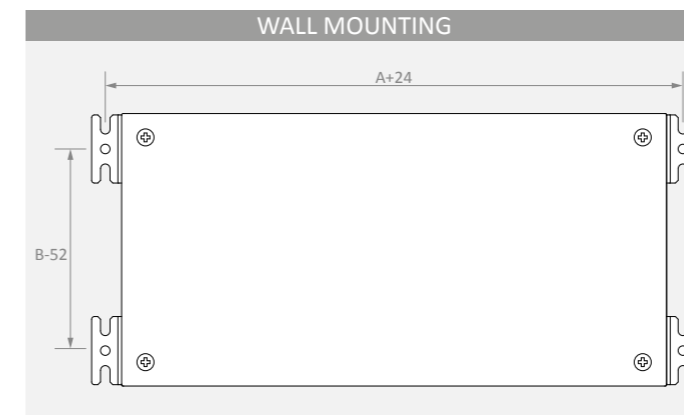
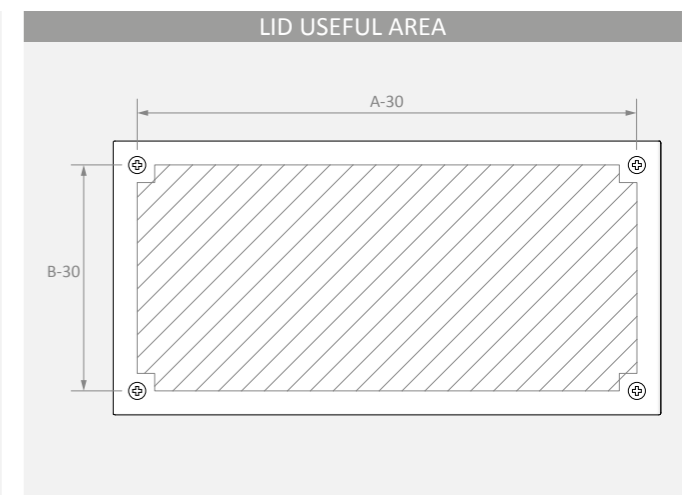
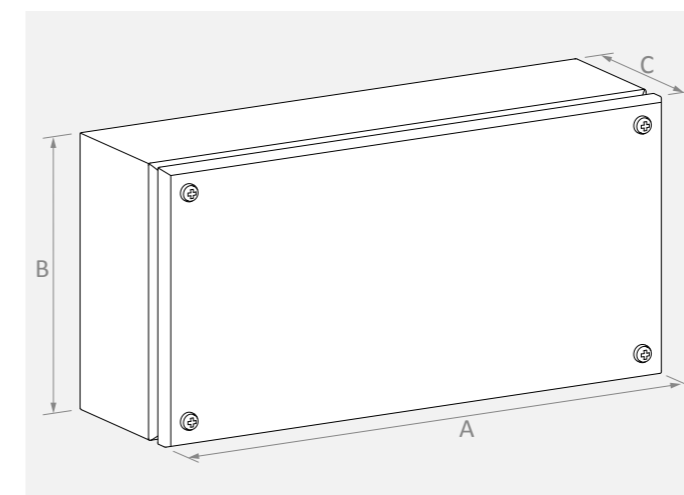
- Mounting plate and DIN rail fasteners

- Earthing cable

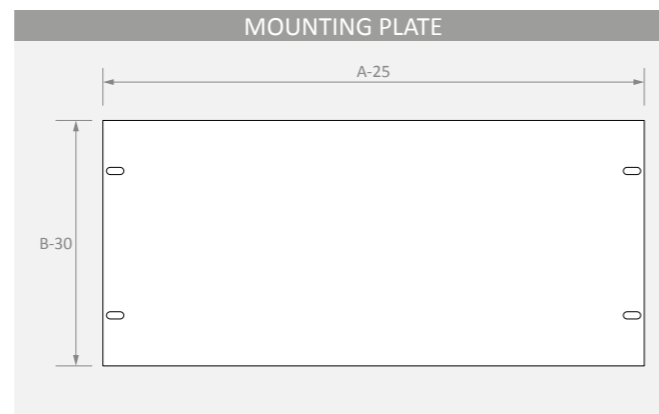
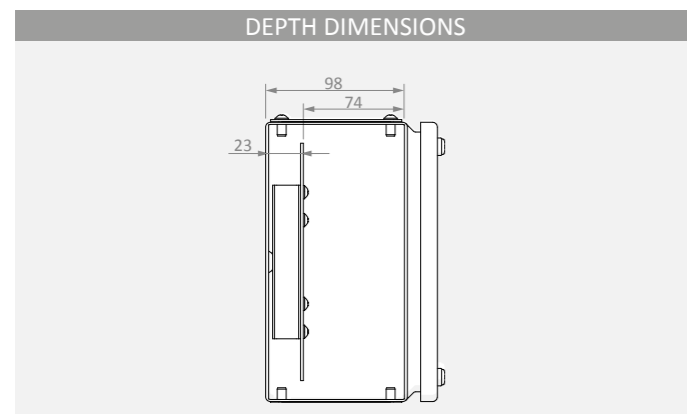
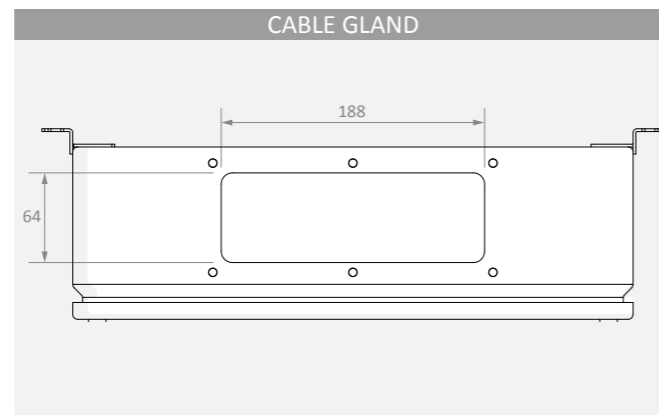
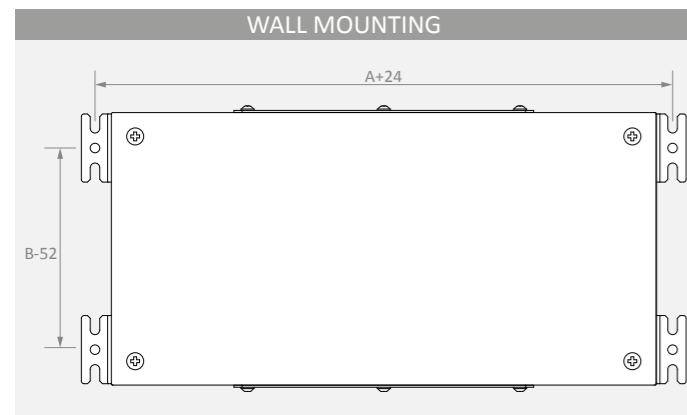
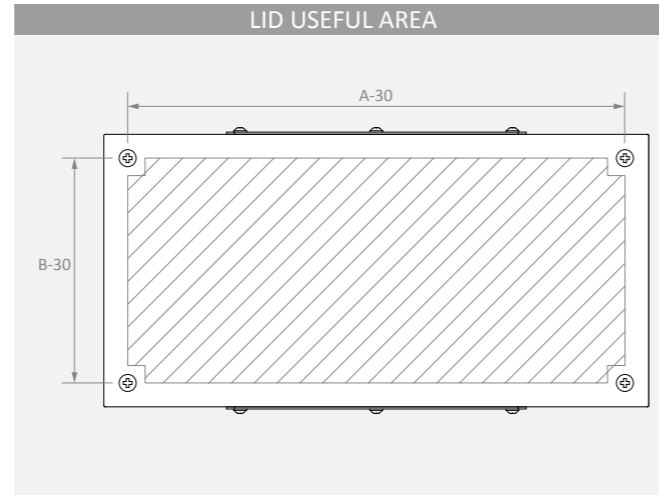
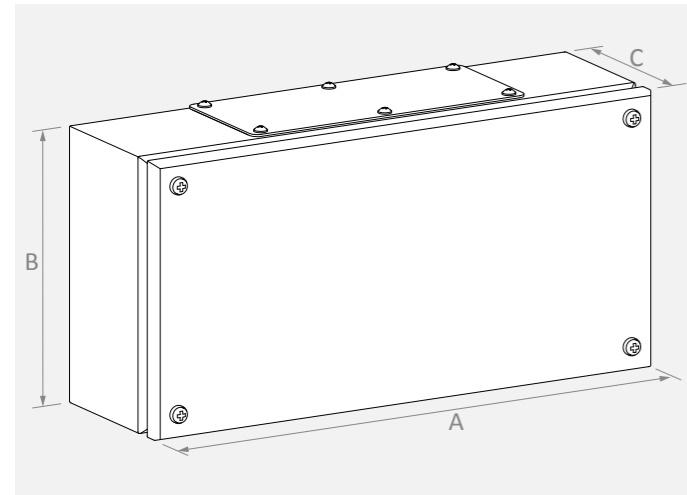
- 4 pcs wall brackets



Width A	Height B	Depth C	Reference	Useful Area			Wall Mounting		DIN Rail Fixing ↔ mm	Mounting Plate		Weight kg
				↔ mm	↕ mm	↗ mm	↔ mm	↕ mm				
150	150	120	BK 151512	120	120	98	174	98	100	125	120	1.7
200	200	120	BK 202012	170	170	98	224	148	150	175	170	2.5
300	200	120	BK 302012	270	170	98	324	148	250	275	170	3.3
	300	120	BK 303012	270	270	98	324	248	2 x 250	275	270	4.4
400	200	120	BK 402012	370	170	98	424	148	350	375	170	4.0
	300	120	BK 403012	370	270	98	424	248	2 x 350	375	270	5.4
	400	120	BK 404012	370	370	98	424	348	2 x 350	375	370	7.4



Width A mm	Height B mm	Depth C mm	Reference	Useful Area			Cable Gland			Wall Mounting		DIN Rail Fixing	Mounting Plate		Weight kg
				↔ mm	↕ mm	↗ mm	# pcs	↔ mm	↗ mm	↔ mm	↕ mm	↔ mm	↕ mm		
300	200	120	BKP 302012	270	170	98	2	188	64	324	148	250	275	170	3.9
	300	120	BKP 303012	270	270	98	2	188	64	324	248	2 x 250	275	270	5.2
400	200	120	BKP 402012	370	170	98	2	188	64	424	148	350	375	170	4.8
	300	120	BKP 403012	370	270	98	2	188	64	424	248	2 x 350	375	270	6.2
	400	120	BKP 404012	370	370	98	2	188	64	424	348	2 x 350	375	370	7.5
600	300	120	BKP 603012	570	270	98	4	188	64	624	248	2 x 535	575	270	8.7
	400	120	BKP 604012	570	370	98	4	188	64	624	348	2 x 535	575	370	10.7

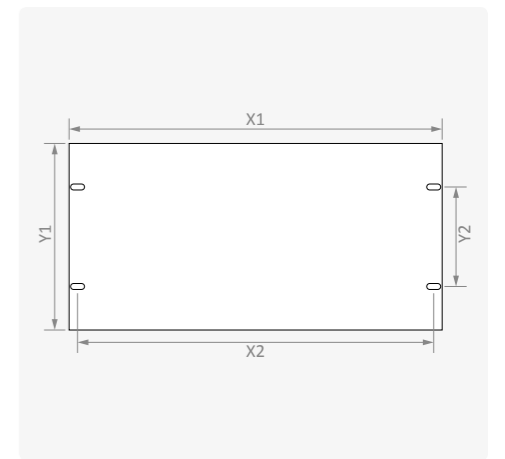
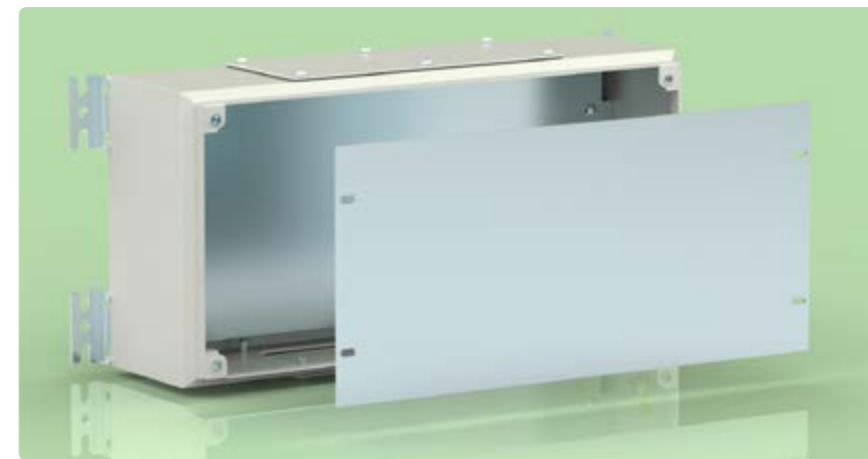


MOUNTING PLATE

Reference	Width		External Dimensions		Mounting Dimensions		Weight kg
	A mm	B mm	X1 mm	Y1 mm	X2 mm	Y2 mm	
BK TS 15 15	150	150	125	120	108	---	0.2
BK TS 20 20	200	200	175	170	158	100	0.5
BK TS 30 20	300	200	275	170	258	100	0.8
BK TS 30 30	300	300	275	270	258	200	1.2
BK TS 40 20	400	200	375	170	358	100	1.1
BK TS 40 30	400	300	375	270	358	200	1.6
BK TS 40 40	400	400	375	370	358	300	2.2
BK TS 60 30	600	300	575	270	558	200	2.5
BK TS 60 40	600	400	575	370	558	300	3.4

Characteristics

- Material: DIN EN 10346 DX51D+Z galvanized
- Thickness: 1.5 mm



MOUNTING PLATE & DIN RAIL FITTING BRACKETS

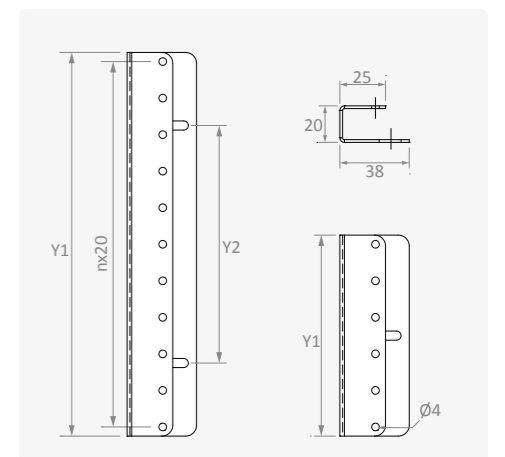
Reference	Height	External Dimensions		Mounting Dimensions		Packet	Weight
	B mm	Y1 mm	Y2 mm	n ad	pcs/packet	kg/packet	
BK FB 15	150	60	---	2	2	0.1	
BK FB 20	200	110	---	5	2	0.3	
BK FB 30	300	210	130	10	2	0.5	
BK FB 40	400	310	170	15	2	0.7	

Characteristics

- Material: DIN EN 10346 DX51D+Z galvanized
- Thickness: 1.5 mm

Supply Includes

- Mounting fasteners
- Mounting plate fasteners

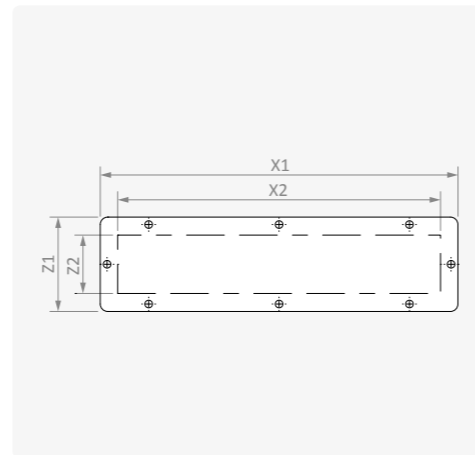
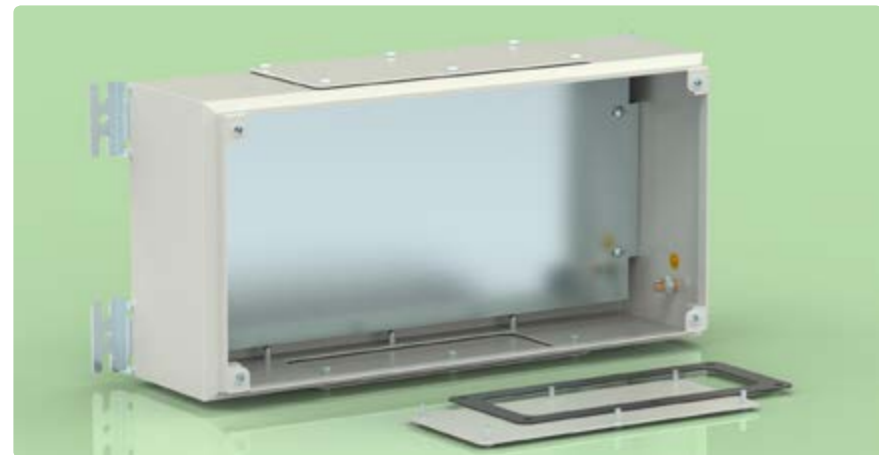


CABLE GLAND PLATE

Reference	Width		Depth		External Dimensions		Useful Area		Weight kg
	A mm	C mm	X1 mm	Z1 mm	X2 mm	Z2 mm			
KB GP 30 12	300 / 400 / 600	120	220	94	188	64		0.25	

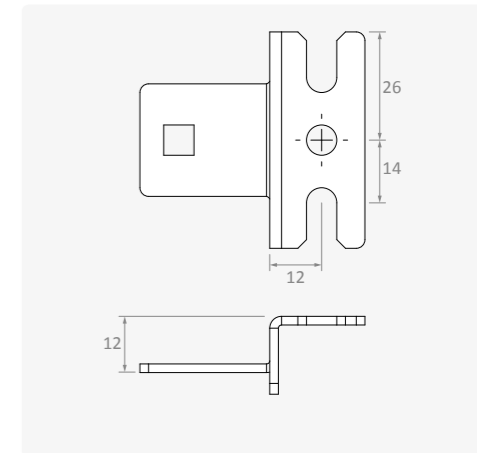
Characteristics	
Material	DIN EN 10130 DC01 CCRS
Surface Finishing	RAL7035w powder coating
Thickness	1.5 mm

Supply Includes	
One piece PE gasket	
Mounting fasteners	



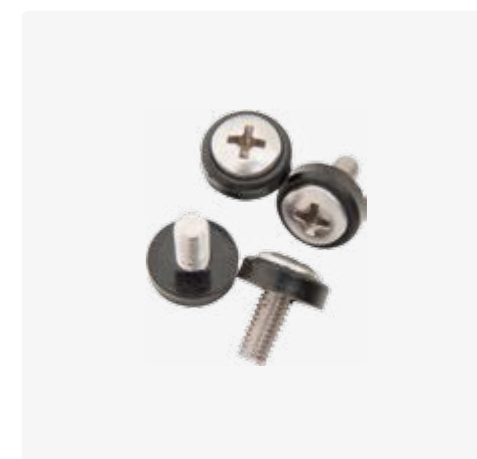
WALL BRACKETS

Reference	Packet		Weight		Characteristics		Supply Includes	
	pcs/packet	kg/packet	kg/packet		Material	DIN EN 10130 DC01 CCRS	Wall mounting screws	
AK KL 0010	4		0.16		Surface Finishing	Zinc coated Cr ³ passivation		
					Thickness	2 mm		



LID MOUNTING FASTENERS

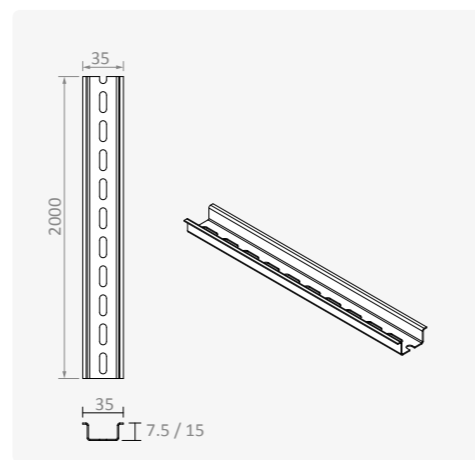
Reference	Packet		Weight		Supply Includes	
	pcs/packet	kg/packet	kg/packet		50 pcs M5 x 12 YSB screws	50 pcs M5 Finishing washer
AK AK JB 051210	50		0.17			



DIN RAILS

Reference	Width		Height		Hole		Length		Weight kg/pcs
	mm		mm		Yes/No		m		
MR KL 500603	35		7.5		No		2	0.7	
MR KL 500604	35		7.5		Yes		2	0.7	
MR KL 500609	35		15		Yes		2	1.2	

Characteristics	
Material	DIN EN 10130 DC01 CCRS
Surface Finishing	Zinc coated Cr ³ passivation
Standards	DIN EN 60715



EARTHING CABLE

Reference	Material	Cross-Section mm ²	Length mm	Connection	Packet		Weight kg/packet
					pcs/packet		
KB OZ 061908080	Yellow - Green, Isolated copper conductor	6	190	M8-M8	10		0.16

