

Characteristics

- Material**
 Sheet Steel (EN 10130 DC01)
 ■ Body : 1.2 mm
 ■ Door : 1.2 mm
- Surface Finishing**
 ■ RAL7035w powder coating
- IP Rating**
 ■ IP55 (TS 3033, EN 60529)
- Others**
 ■ Fully welded construction
 ■ Glazed door fixed with two screws
 ■ Foamed-in door PU sealing gasket
 ■ 155° concealed hinges
 ■ Top and bottom gland plates
 ■ One piece PE gasket for gland plate
 ■ Ready for DIN rail fixing



On Request

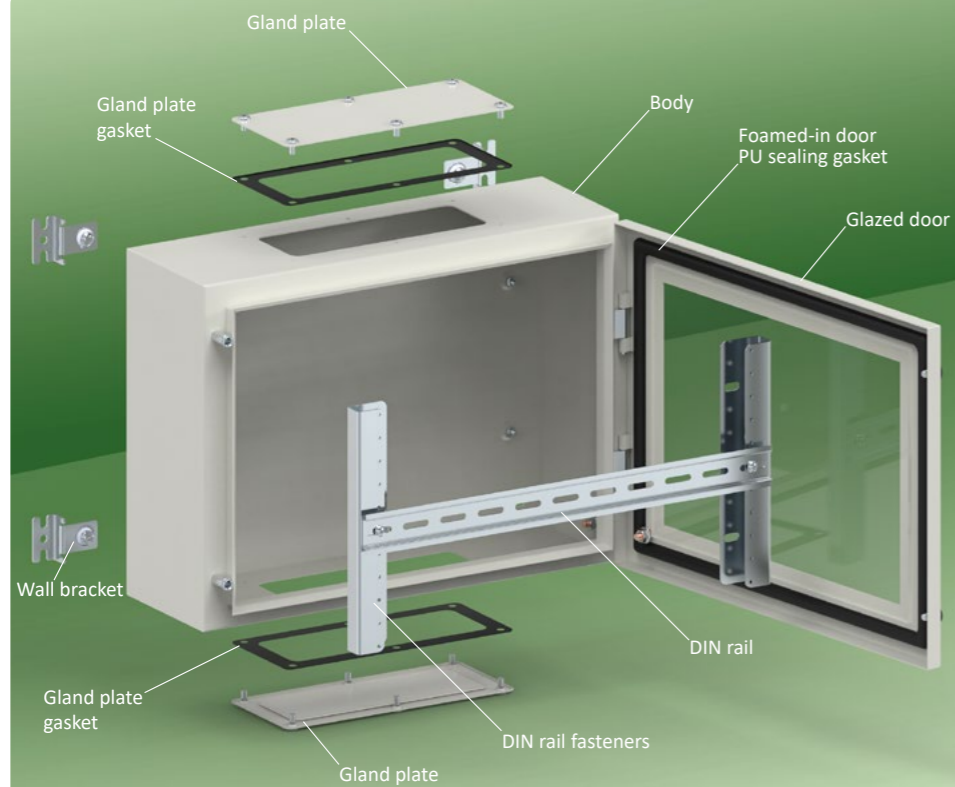
- Special sizes
- Solid door
- Special colour
- Special mounting plate
- Pre-punching

Supply Includes

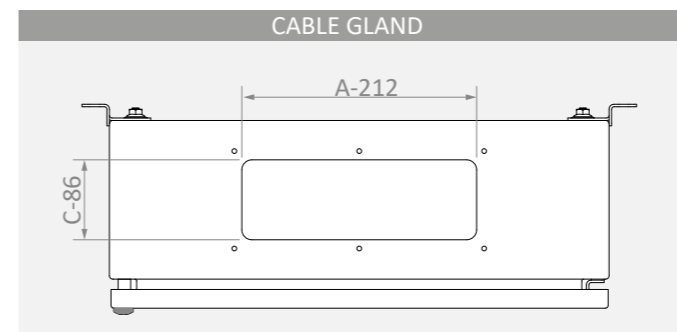
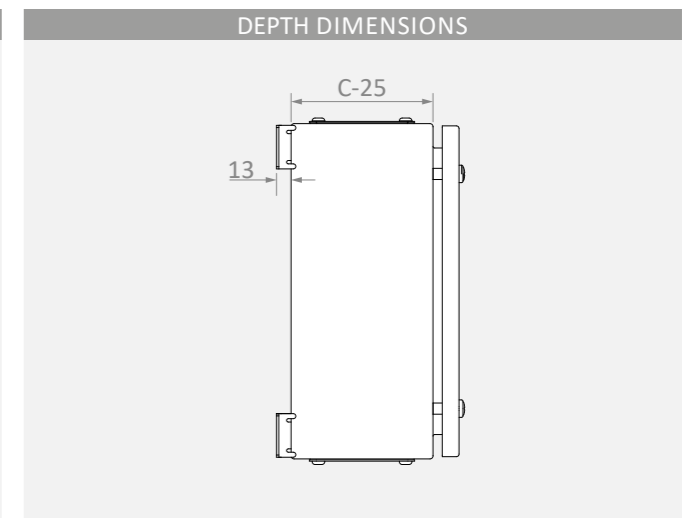
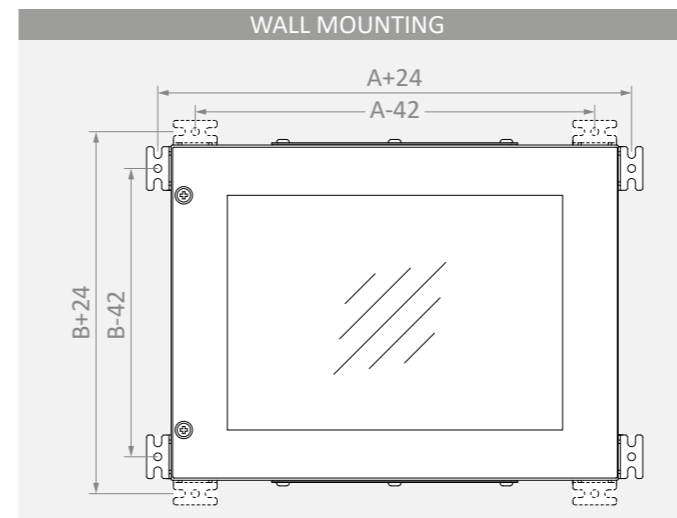
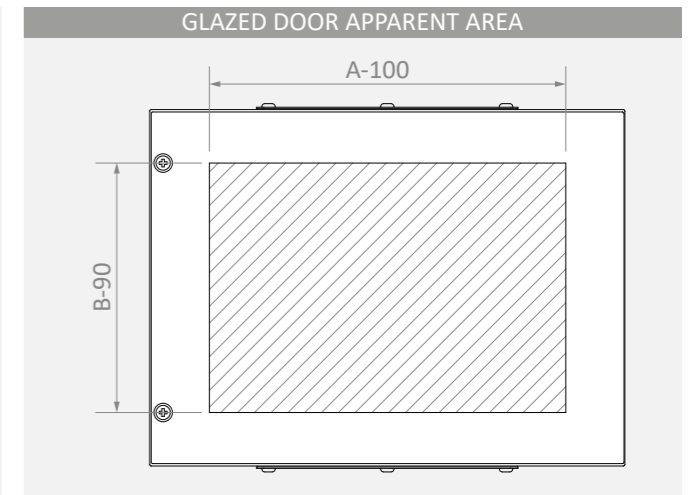
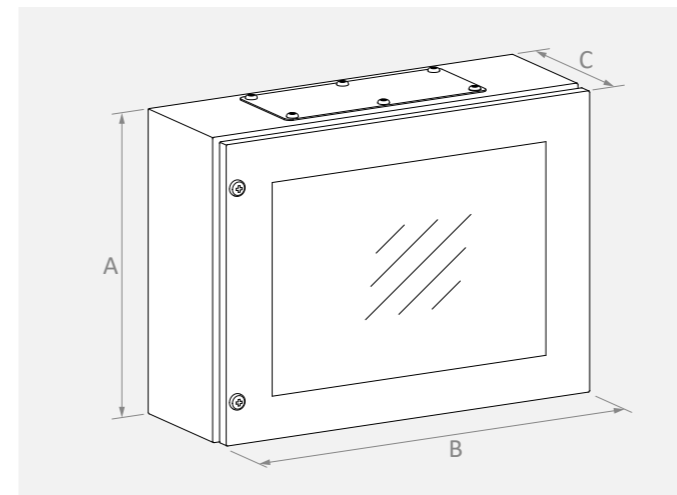
- Body
- Glazed door
- 2 pcs DIN rail fasteners
- 2 pcs gland plates with gasket

Complementary Accessories

- DIN rail
- Earthing cable
- 4 pcs wall brackets



Width A	Height B	Depth C	Reference	Useful Area Side		Apparent Area		Cable Gland			Wall Mounting				DIN Rail Fixing	Weight kg
				↕ mm	↗ mm	↔ mm	↕ mm	# pcs	↔ mm	↗ mm	Side		Up/Down			
300	200	125	TB 302012	150	75	200	110	2	260	48	324	158	258	158	225	3.6
	300	125	TB 303012	250	75	200	210	2	260	48	324	258	258	258	2 x 225	4.6
400	200	125	TB 402012	150	75	300	110	2	360	48	424	158	358	158	325	4.5
	300	150	TB 403015	250	100	300	210	2	360	73	424	258	358	258	2 x 325	6.0
	400	150	TB 404015	350	100	300	310	2	360	73	424	358	358	358	2 x 325	7.5

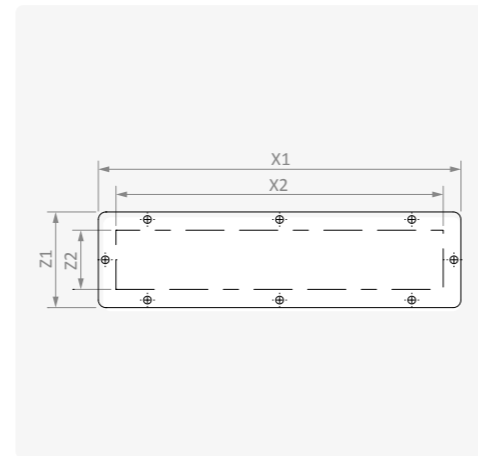


CABLE GLAND PLATE

Reference	Width		Depth		External Dimensions		Useful Area		Weight kg
	A mm	C mm	X1 mm	Z1 mm	X2 mm	Z2 mm			
TB GP 30 12	300	125	220	94	188	64	0.25		
TB GP 40 12	400	125	220	94	188	64	0.25		
TB GP 40 15	400	150	220	94	188	64	0.25		

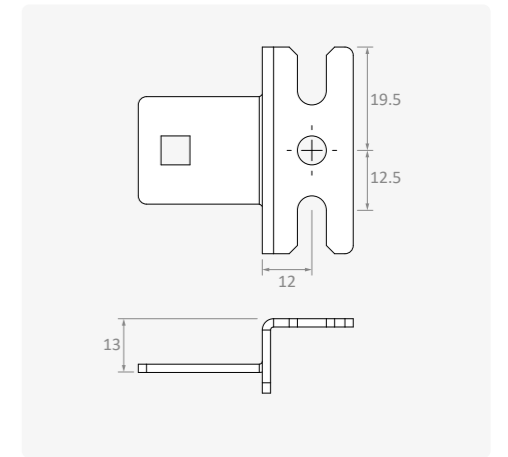
Characteristics	
Material	DIN EN 10130 DC01 CCRS
Surface Finishing	RAL7035w powder coating
Thickness	1.5 mm

Supply Includes	
One pece PE Gasket	
Mounting fasteners	



WALL BRACKETS

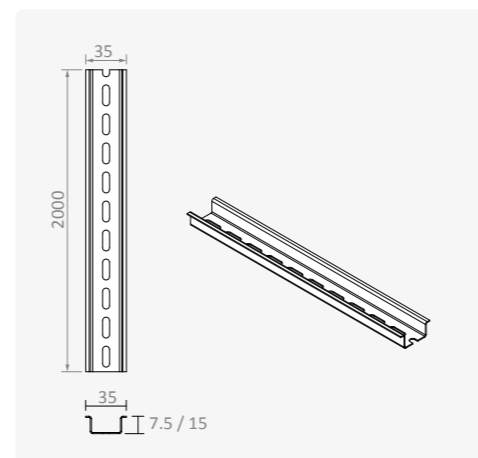
Reference	Packet		Weight		Characteristics		Supply Includes	
	pcs/packet	kg/packet			Material	DIN EN 10130 DC01 CCRS	Wall mounting screws	
AK KL 0010	4	0.16			Surface Finishing	Zinc coated Cr ³ passivation		
					Thickness	2 mm		



DIN RAILS

Reference	Width		Height		Hole		Length		Weight kg/pcs
	mm	mm	mm	mm	Yes/No	m			
MR KL 500603	35	7.5	7.5	7.5	No	2	0.7		
MR KL 500604	35	7.5	7.5	7.5	Yes	2	0.7		
MR KL 500609	35	15	15	15	Yes	2	1.2		

Characteristics	
Material	DIN EN 10130 DC01 CCRS
Surface Finishing	Zinc coated Cr ³ passivation
Standards	DIN EN 60715



EARTHING CABLE

Reference	Material	Cross-Section		Length		Connection	Packet		Weight kg/packet
		mm ²	mm	mm	mm		pcs/packet		
KB OZ 061908080	Yellow - Green, Isolated copper conductor	6	190	190	190	M8-M8	10	0.16	

