

**Characteristics**

**Material**  
 Stainless Steel 304L (EN 10088 1.4307)  
 ■ Body : 1.2 mm  
 ■ Lid : 1.2 mm

**Surface Finishing**  
 ■ Scotch-brite brushed

**IP Rating**  
 ■ IP55 (TS 3033, EN 60529)

**Others**  
 ■ Fully welded construction  
 ■ Screwed plain lid  
 ■ One piece EPDM lid gasket  
 ■ Ready for DIN rail fixing



**On Request**

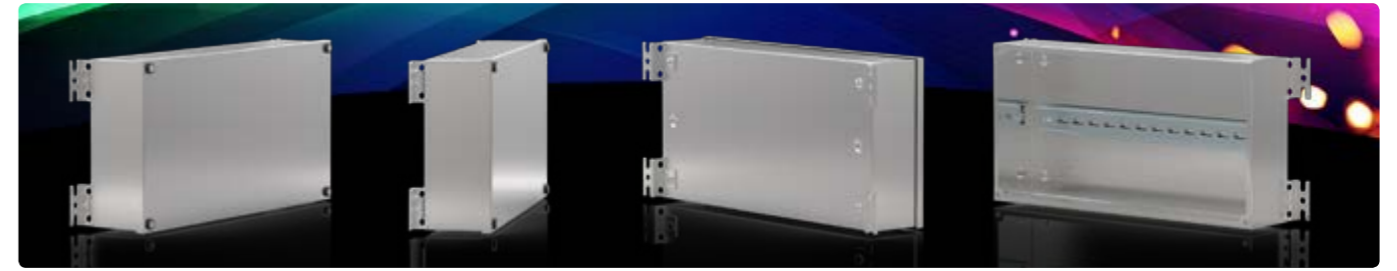
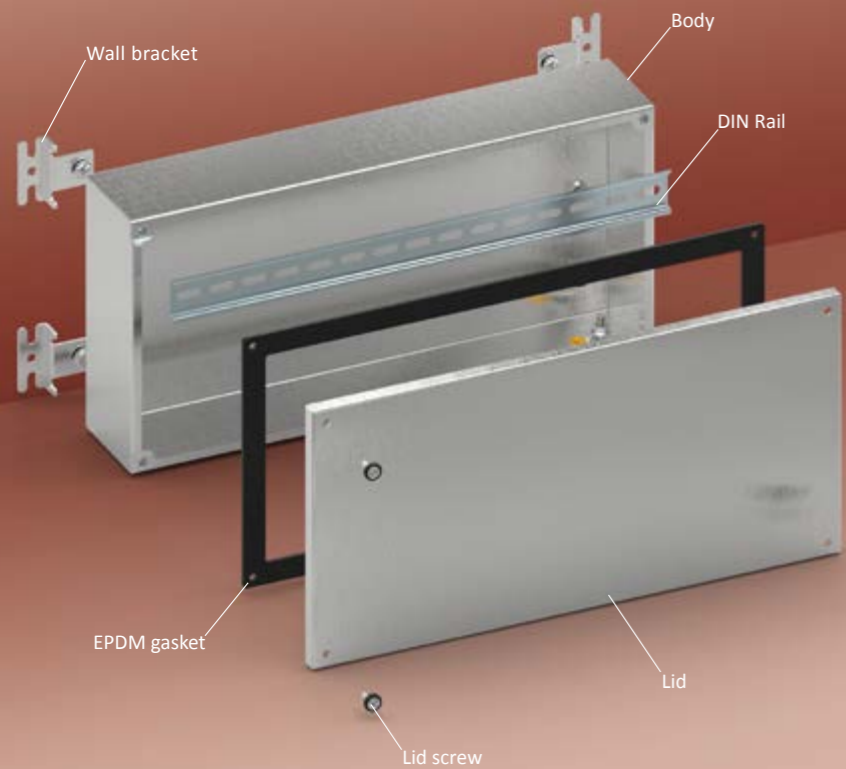
- Special sizes
- Pre-punching
- 316L Grade SS

**Supply Includes**

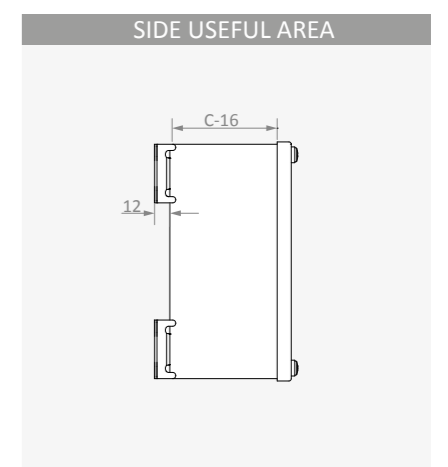
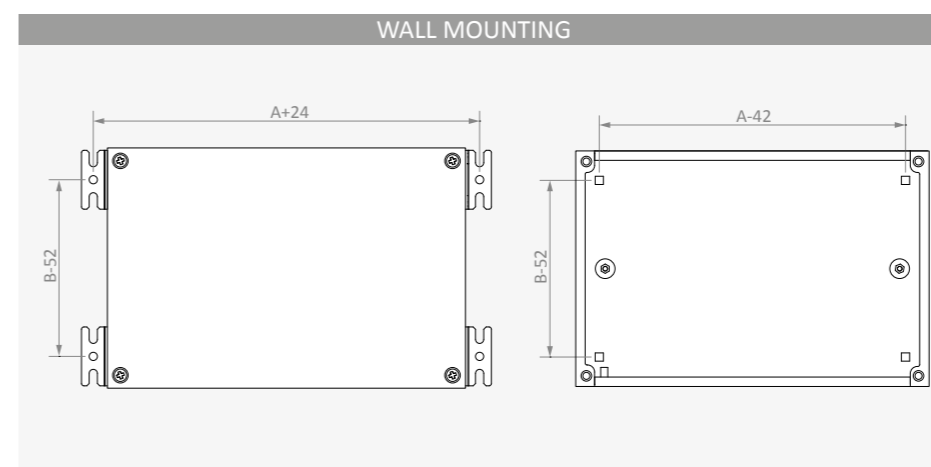
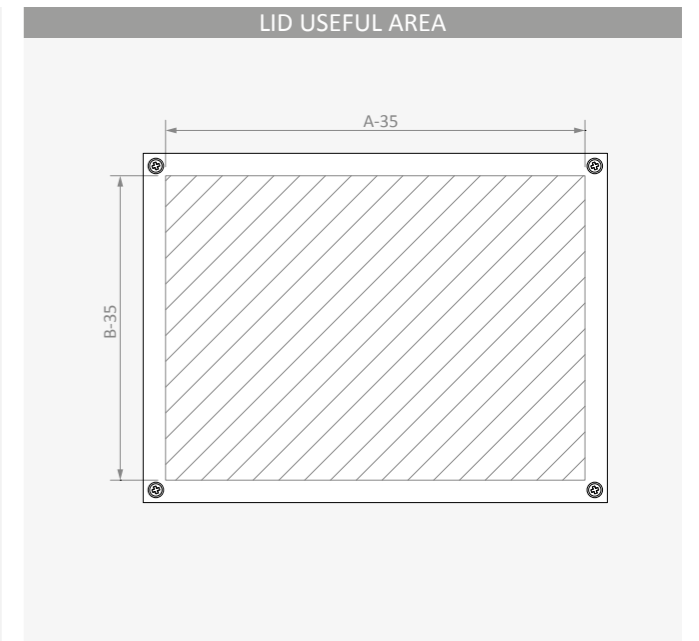
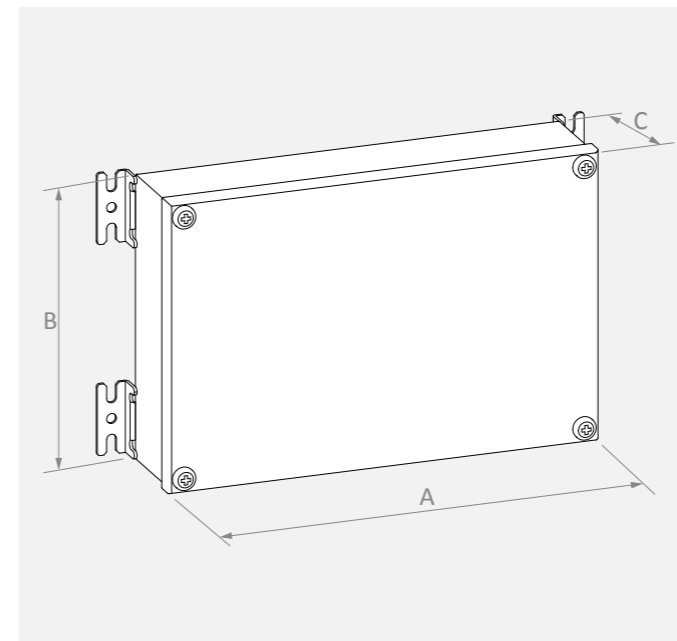
- Body
- Lid
- Lid gasket
- Lid screws

**Complementary Accessories**

- DIN rail
- Wall bracket
- Earthing cable



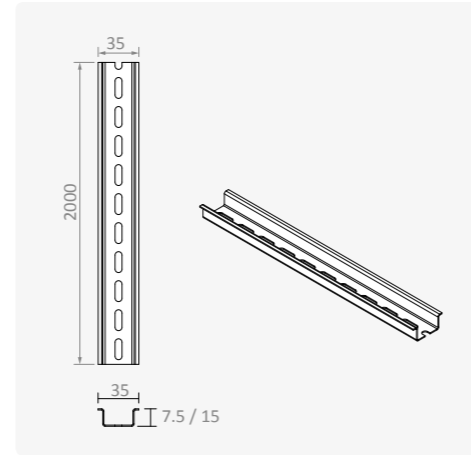
Width	Height	Depth	Reference	Useful Area			Wall Mounting				DIN Rail Fixing	Weight
				Lid	Side	With Bracket	Internal	DIN Rail Fixing				
A	B	C		↔ mm	↕ mm	↗ mm	↔ mm	↕ mm	↔ mm	↕ mm	↔ mm	kg
80	160	60	SSJB 081606	45	125	44	---	184	---	118	30	0.6
100	100	60	SSJB 101006	65	65	44	---	124	---	58	50	0.6
120	120	60	SSJB 121206	85	85	44	---	144	78	68	70	0.7
160	160	80	SSJB 161608	125	125	64	184	108	118	108	110	1.4
200	200	80	SSJB 202008	165	165	64	224	148	158	148	150	1.9
300	200	100	SSJB 302010	265	165	84	324	148	258	148	250	2.4
	300	100	SSJB 303010	265	265	84	324	248	258	248	2 x 250	3.2
400	200	100	SSJB 402010	365	165	84	424	148	358	148	350	2.8



DIN RAILS

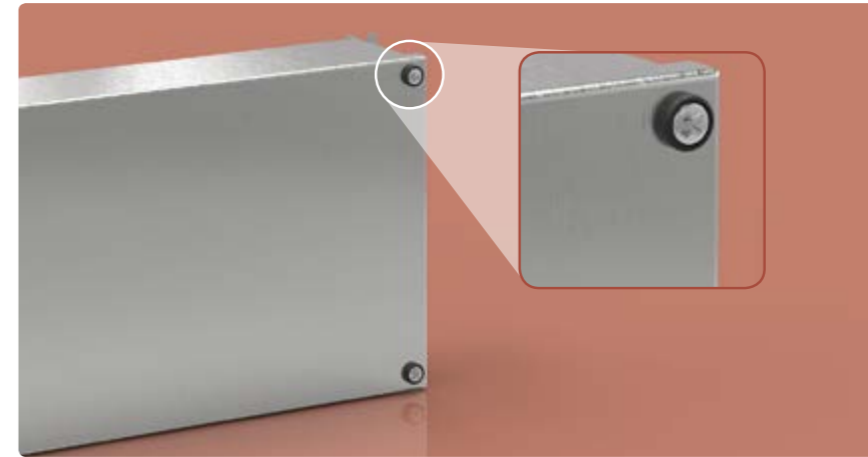
Reference	Width mm	Height mm	Hole Yes/No	Length m	Weight kg/pcs
MR KL 500603	35	7.5	No	2	0.7
MR KL 500604	35	7.5	Yes	2	0.7
MR KL 500609	35	15	Yes	2	1.2

Characteristics	
Material	DIN EN 10130 DC01 CCRS
Surface Finishing	Zinc coated Cr <sup>3</sup> passivation
Standards	DIN EN 60715



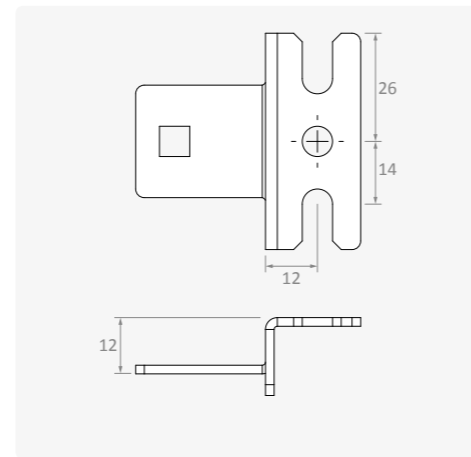
LID MOUNTING FASTENERS

Reference	Packet pcs/packet	Weight kg/packet	Supply Includes
AK AK JB 051210	50	0.17	<ul style="list-style-type: none"> <li>50 pcs M5 x 12 YSB screws</li> <li>50 pcs M5 Finishing washer</li> </ul>



WALL BRACKETS

Reference	Packet pcs/packet	Weight kg/packet	Characteristics	Supply Includes
SSAK KL 010	4	0.16	<ul style="list-style-type: none"> <li>Material: 316L EN 10088 1.4404</li> <li>Surface Finishing: Scotch-brite</li> <li>Thickness: 2 mm</li> </ul>	Wall mounting screws



EARTHING CABLE

Reference	Material	Cross-Section mm <sup>2</sup>	Length mm	Connection	Packet pcs/packet	Weight kg/packet
KB OZ 061908080	Yellow - Green, Isolated copper conductor	6	190	M8-M8	10	0.16

