

Characteristics

Material

- Sheet Steel (EN 10130 DC01)
 - Body : 1.2 mm
 - Lid : 1.2 mm
- Galvanized Steel (EN 10346 DX51D+Z)
 - Mounting plate : 1.5 mm

Surface Finishing

- RAL7035w powder coating

IP Rating

- KB IP66 (TS 3033, EN 60529)
- KBP IP65 (TS 3033, EN 60529)

Others

- Fully welded construction
- Screwed plain lid
- Foamed-in lid PU sealing gasket
- Ready for mounting plate and DIN rail fixing
- Top and bottom gland plates
- One piece PE gasket for gland plate



On Request

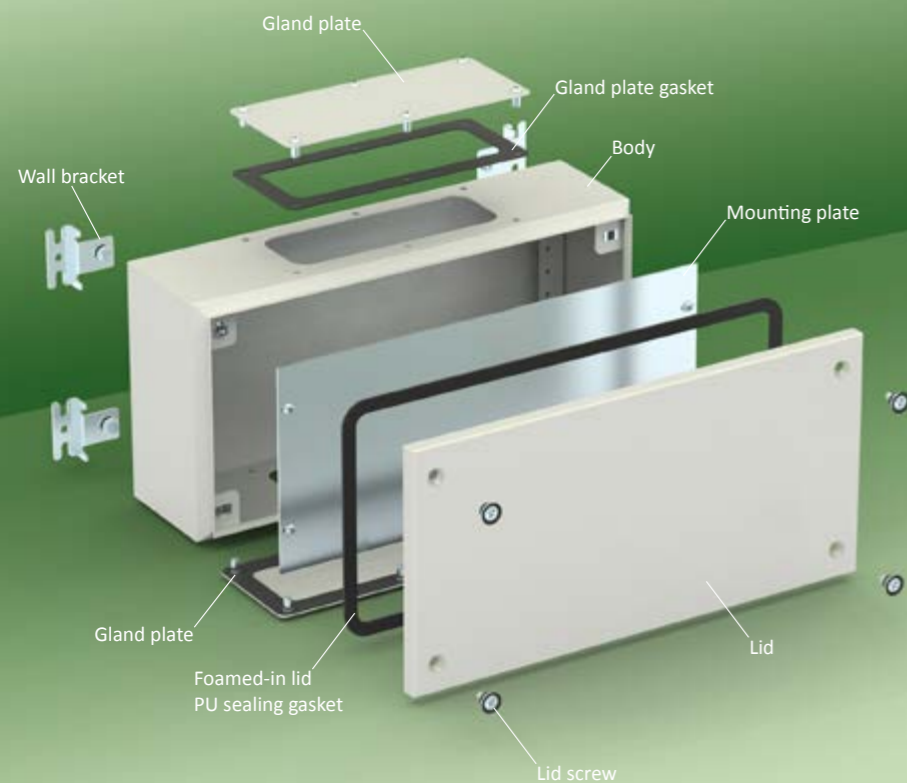
- Special sizes
- Special colour
- Pre-punching
- Glazed lid

Supply Includes

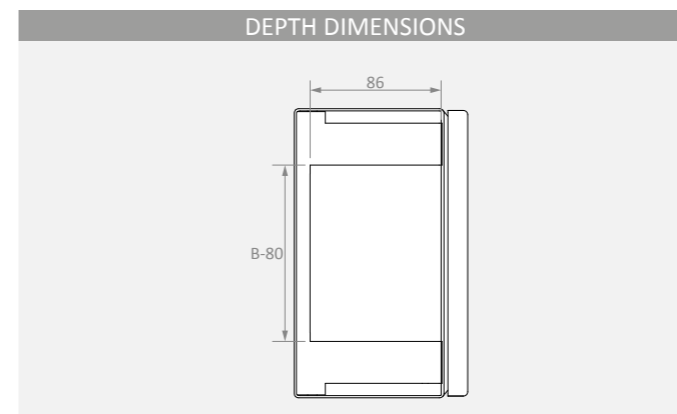
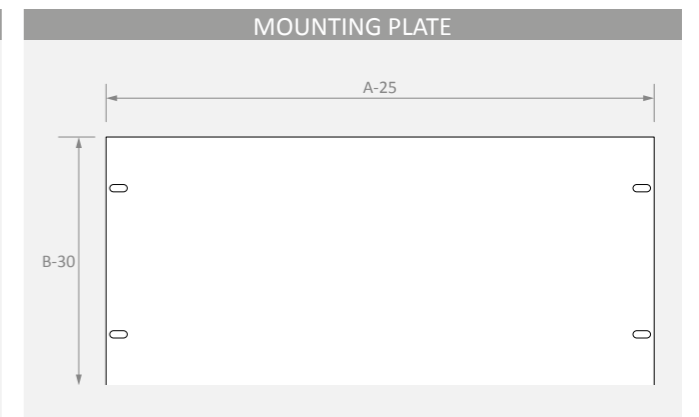
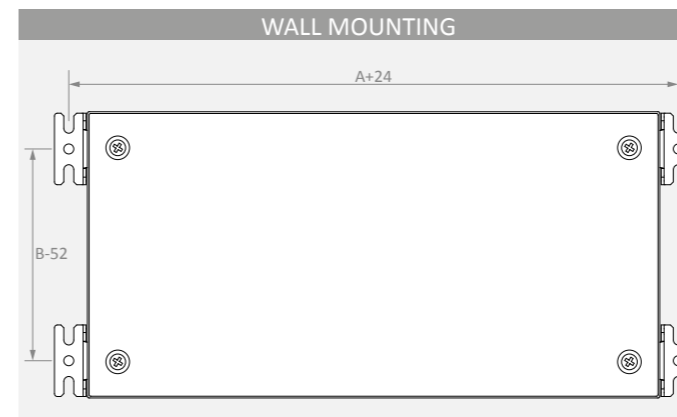
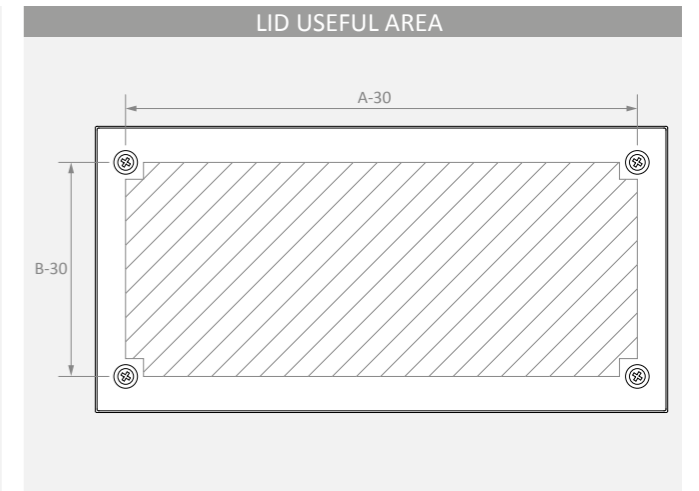
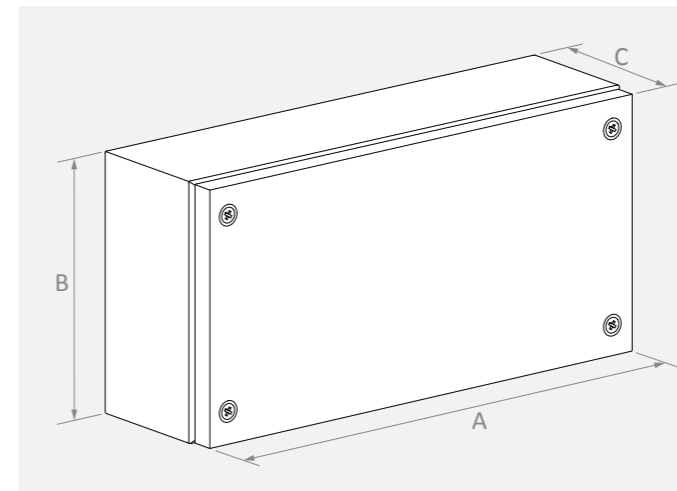
- Body
- Lid
- Lid screws
- 2/4 pcs gland plates with gasket

Complementary Accessories

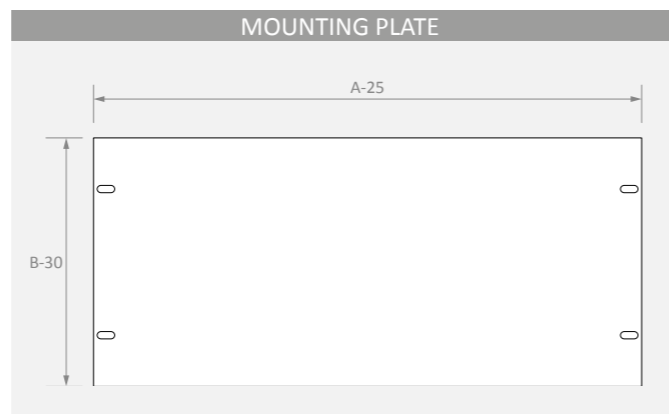
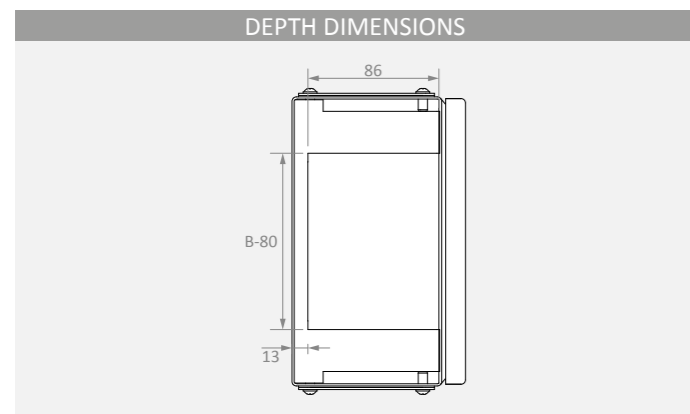
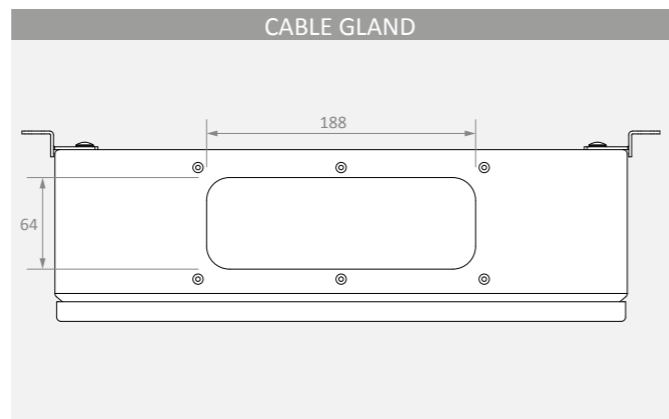
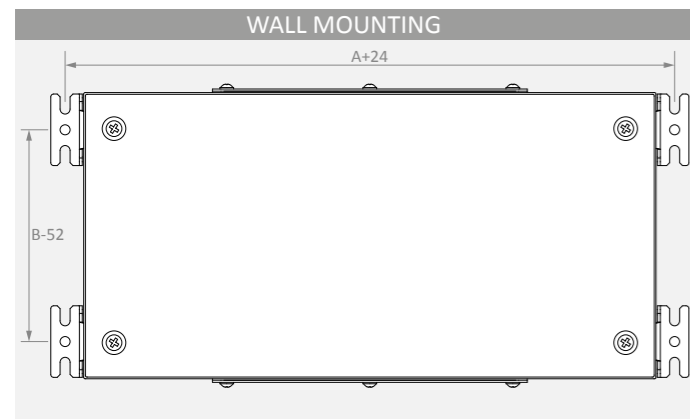
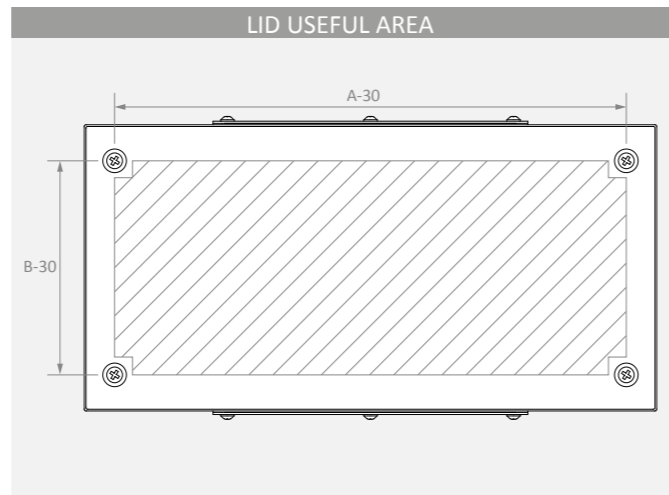
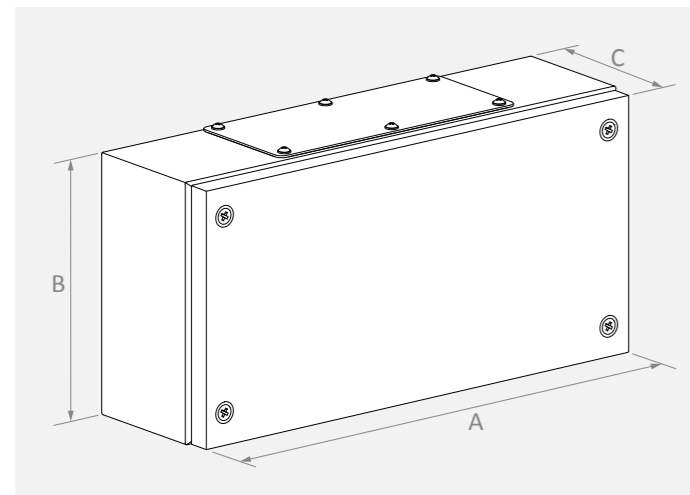
- DIN rail
- Mounting plate
- Earthing cable
- 4 pcs wall brackets



Width A	Height B	Depth C	Reference	Useful Area			Wall Mounting		DIN Rail Fixing	Mounting Plate		Weight kg
				Lid ↔ mm	Lid ↕ mm	Side ↗ mm	↔ mm	↕ mm	↔ mm	↕ mm		
150	150	120	KB 151512	110	110	86	174	98	108	125	120	2.1
200	200	120	KB 202012	160	160	86	224	148	158	175	170	2.9
300	200	120	KB 302012	260	160	86	324	148	258	275	170	3.7
	300	120	KB 303012	260	260	86	324	248	2 x 258	275	270	4.9
400	200	120	KB 402012	360	160	86	424	148	358	375	170	4.6
	300	120	KB 403012	360	260	86	424	248	2 x 358	375	270	5.9
	400	120	KB 404012	360	360	86	424	348	2 x 358	375	370	7.3



Width A mm	Height B mm	Depth C mm	Reference	Useful Area			Gland Plate			Wall Mounting		DIN Rail Fixing	Mounting Plate		Weight kg
				Lid		# ad	↔ mm	↗ mm	↔ mm	↕ mm	↔ mm	↕ mm			
				↔ mm	↕ mm								↗ mm		
300	200	120	KBP 302012	260	160	86	2	188	64	324	148	258	275	170	3.9
	300	120	KBP 303012	260	260	86	2	188	64	324	248	2 x 258	275	270	5.2
400	200	120	KBP 402012	360	160	86	2	188	64	424	148	358	375	170	4.8
	300	120	KBP 403012	360	260	86	2	188	64	424	248	2 x 358	375	270	6.2
	400	120	KBP 404012	360	360	86	2	188	64	424	348	2 x 358	375	370	7.8
600	300	120	KBP 603012	560	260	86	4	188	64	624	248	2 x 558	575	270	8.7
	400	120	KBP 604012	560	360	86	4	188	64	624	348	2 x 558	575	370	11.0

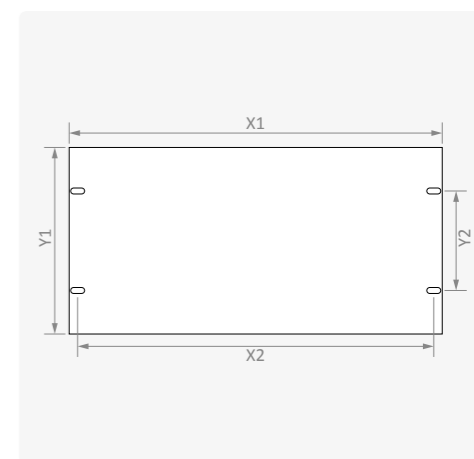


MOUNTING PLATE

Reference	Width A mm	Height B mm	External Dimensions		Mounting Dimensions		Weight kg
			X1 mm	Y1 mm	X2 mm	Y2 mm	
KB TS 15 15	150	150	125	120	108	---	0.2
KB TS 20 20	200	200	175	170	158	100	0.5
KB TS 30 20	300	200	275	170	258	100	0.8
KB TS 30 30	300	300	275	270	258	200	1.2
KB TS 40 20	400	200	375	170	358	100	1.1
KB TS 40 30	400	300	375	270	358	200	1.6
KB TS 40 40	400	400	375	370	358	300	2.2
KB TS 60 30	600	300	575	270	558	200	2.5
KB TS 60 40	600	400	575	370	558	300	3.4

Characteristics

- Material: DIN EN 10346 DX51D+Z galvanized
- Thickness: 1.5 mm



CABLE GLAND PLATE

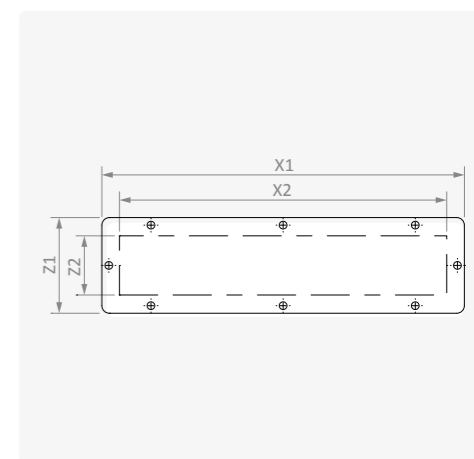
Reference	Width	Depth	External Dimensions		Useful Area		Weight kg
	A mm	C mm	X1 mm	Z1 mm	X2 mm	Z2 mm	
KB GP 30 12	300 / 400 / 600	120	220	94	188	64	0.25

Characteristics

- Material: DIN EN 10130 DC01 CCRS
- Surface Finishing: RAL7035w powder coating
- Thickness: 1.5 mm

Supply Includes

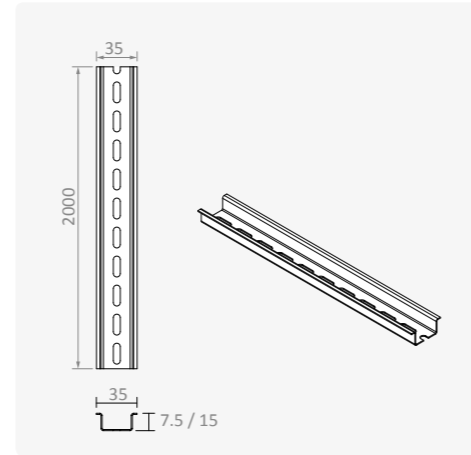
- One piece PE gasket
- Mounting fasteners



DIN RAILS

Reference	Width	Height	Hole	Length	Weight
	mm	mm	Yes/No	m	kg/pcs
MR KL 500603	35	7.5	No	2	0.7
MR KL 500604	35	7.5	Yes	2	0.7
MR KL 500609	35	15	Yes	2	1.2

Characteristics	
Material	DIN EN 10130 DC01 CCRS
Surface Finishing	Zinc coated Cr ³⁺ passivation
Standards	DIN EN 60715



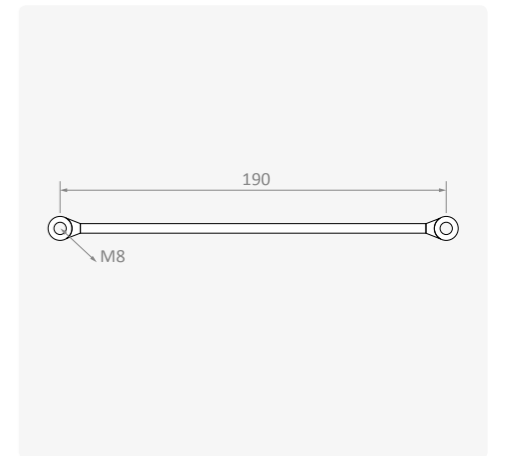
LID MOUNTING FASTENERS

Reference	Packet	Weight	Supply Includes
	pcs/packet	kg/packet	
AK AK KB 062510	50	0.53	<ul style="list-style-type: none"> 50 pcs M6 x 20 Imbus screw 50 pcs M6 plastic retaining washer 50 pcs M6 cage nut



EARTHING CABLE

Reference	Material	Cross-Section	Length	Connection	Packet	Weight
		mm ²	mm		pcs/packet	kg/packet
KB OZ 061908080	Yellow - Green, Isolated copper conductor	6	190	M8-M8	10	0.16



WALL BRACKETS

Reference	Packet	Weight	Characteristics		Supply Includes	
	pcs/packet	kg/packet	Material	Surface Finishing	Thickness	
AK KL 0010	4	0.16	DIN EN 10130 DC01 CCRS	Zinc coated Cr ³⁺ passivation	2 mm	Wall mounting screws

