

Characteristics

Material

- Stainless Steel 430 (EN 10088 1.4016)
 - Body : 1.2 mm
 - Door : 1.2 mm
- Galvanized Steel (EN 10346 DX51D+Z)
 - Mounting plate : 1.5 mm

Surface Finishing

- RAL7035w powder coating

IP Rating

- IP66 (TS 3033, EN 60529)

Others

- Fully welded construction
- Solid door
- Foamed-in door PU sealing gasket
- 135° concealed hinges
- 5mm Double-bit insert chrome coated zamak lock
- Bottom gland plate
- Door stay

On Request

- Special sizes
- Special colour
- Pre-punching



Supply Includes

- Body
- Door
- Mounting plate
- Door stay
- Gland plate with gasket

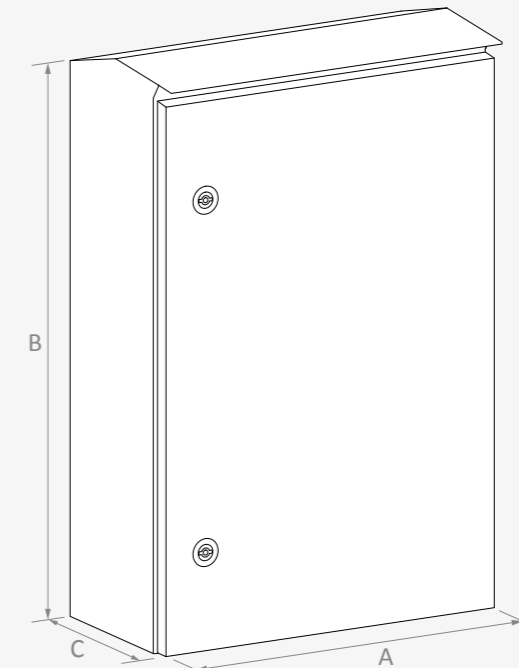
Complementary Accessories

- Cover plate and profiles
- Standoff
- Door inside mounting profile
- Special locks and keys
- Earthing cable
- Pole fitting set

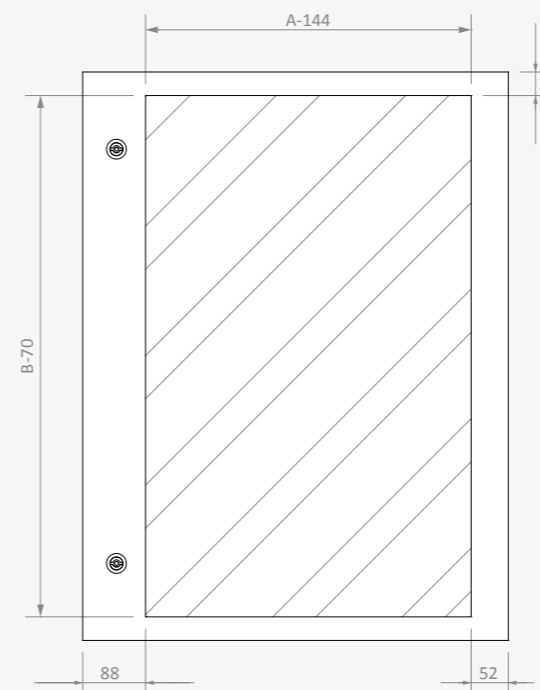


Width A	Height B	Depth C	Reference	Lock Type *	Lock pcs	Hinge pcs	Useful Area			Cable Gland			Mounting Plate	
							Door		Depth ↗ mm	ad	↔ mm	↗ mm	↔ mm	↕ mm
							↔ mm	↕ mm						
300	400	200	HDS 030420	C	1	2	156	330	177	1	260	110	250	330
400	600	200	HDS 040620	C	2	2	256	530	177	1	360	110	350	530
500	700	200	HDS 050720	C	2	3	356	630	177	1	460	110	450	630
600	600	200	HDS 060620	C	2	2	456	530	177	1	560	110	550	530
	800	250	HDS 060825	C	2	3	456	730	227	1	560	110	550	730

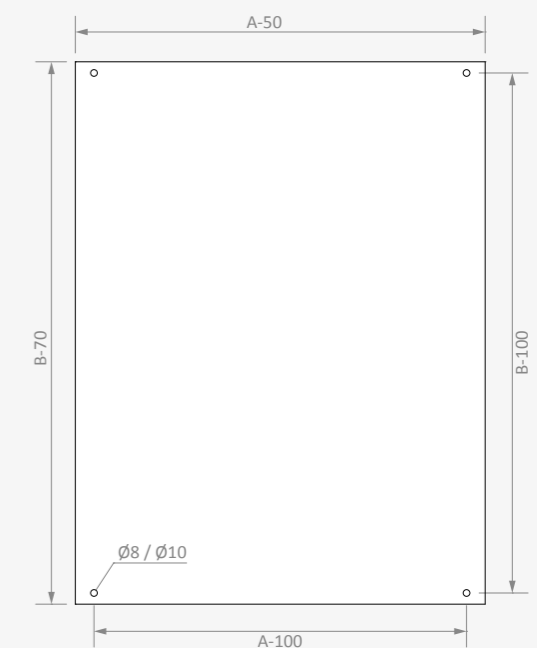
* C: Quarter Turn



DOOR USEFUL AREA



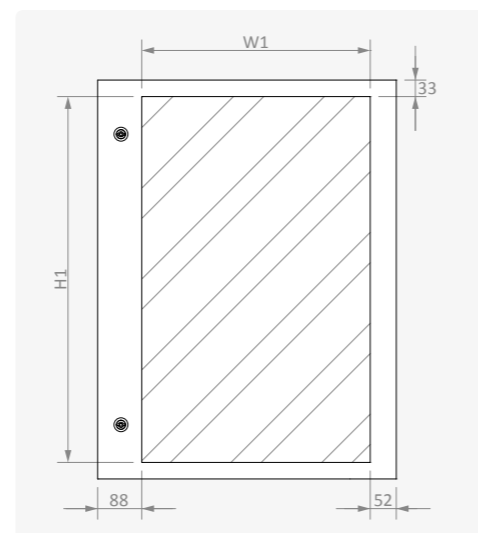
MOUNTING PLATE



SOLID DOOR

Reference	Width		Height		Useful Area		Door	Lock Type	Lock	Hinge	Weight
	A mm	B mm	W1 mm	H1 mm	pcs	*					
HDS KP 0304	300	400	185	330	1	C	1	2	1.5		
HDS KP 0406	400	600	285	530	1	C	2	2	2.8		
HDS KP 0507	500	700	385	630	1	C	2	3	4.0		
HDS KP 0606	600	600	485	530	1	C	2	2	4.1		
HDS KP 0608	600	800	485	730	1	C	2	3	5.4		

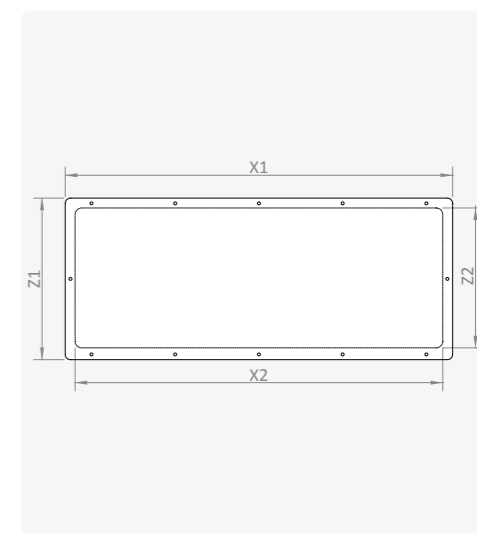
Characteristics		Supply Includes	
Material	Stainless Steel 430 (EN 10088 1.4016)	Lock	
Surface Finishing	RAL7035w powder coating	* C: Quarter Turn	
Thickness	1.2 mm		



GLAND PLATE

Reference	Width		Depth		External Dimensions		Useful Area		Weight
	A mm	C mm	X1 mm	Z1 mm	X2 mm	Z2 mm	kg		
HDS GP 3020	300	200	290	146	260	110	0.6		
HDS GP 4020	400	200	390	146	360	110	0.7		
HDS GP 5020	500	200	490	146	460	110	0.9		
HDS GP 6020	600	200	590	146	560	110	1.1		
HDS GP 6025	600	250	590	146	560	110	1.1		

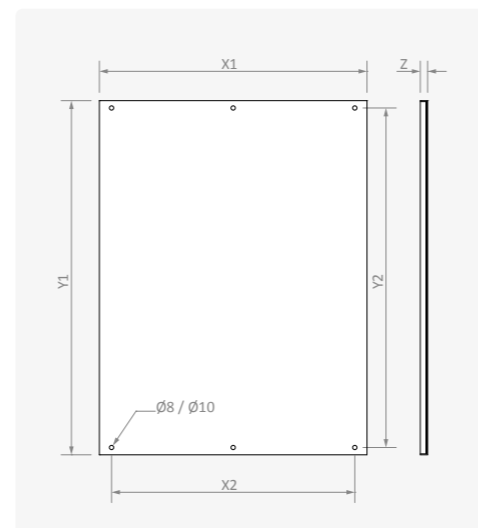
Characteristics		Supply Includes	
Material	Stainless Steel 430 (EN 10088 1.4016)	Foamed-in door PU sealing gasket	
Surface Finishing	RAL7035w powder coating	Mounting fasteners	
Thickness	1.5 mm		



MOUNTING PLATE

Reference	Width		Height		External Dimensions			Mounting Dimensions			Weight
	A mm	B mm	X1 mm	Y1 mm	Z mm	X2 mm	Y2 mm	D mm	kg		
ETS TS 0304	300	400	250	330	12	200	300	M6	1.4		
ETS TS 0507	500	700	450	630	12	400	600	M6	4.8		
ETS TS 0606	600	600	550	530	15	500	500	M8	5.0		
ETS TS 0608	600	800	550	730	15	500	700	M8	6.9		

Characteristics	
Material	DIN EN 10327 DX51D+Z galvanized
Thickness	1.5 mm



POLE FITTING SET

Reference	Width		Paket		Weight	
	A mm	B mm	pcs set	kg set	kg set	kg set
HDS DBS 030	300	400	2	0.9		
HDS DBS 040	400	600	2	1.3		
HDS DBS 050	500	700	2	1.6		
HDS DBS 060	600	600	2	1.9		
HDS DBS 060-3	600	600	3	2.4		
HDS DBS 080	800	800	3	2.6		

Characteristics		Supply Includes	
Material	Stainless Steel 304L (EN 10088 1.4307)	Mounting fasteners	
Thickness	1.5 - 2 mm		



DOOR STAY

Reference	Set		Weight	
	pcs/set	kg/set	kg/set	kg/set
EKO KD 010	1	0.2		

Characteristics	
Material	DIN EN 10327 DX51D+Z galvanized
Thickness	2 mm

Supply Includes	
Mounting fasteners	

