

Characteristics

Material

- Sheet Steel (EN 10130 DC01)
 - Body : 1.2 / 1.5 mm
 - Door : 1.2 / 1.5 mm
- Galvanized Steel (EN 10346 DX51D+Z)
 - Mounting plate : 1.5 - 2 mm

Surface Finishing

- RAL7035w powder coating

IP Rating

- IP65 (TS 3033, EN 60529)

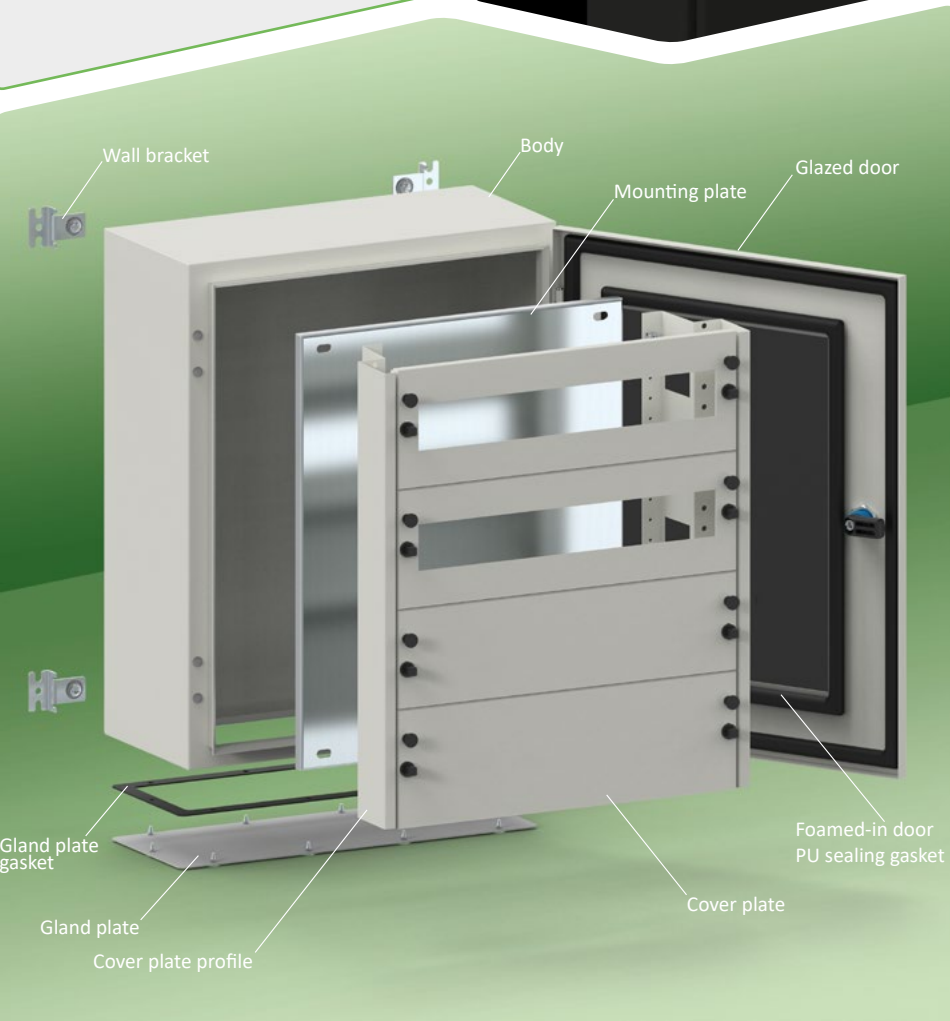
Others

- Fully welded construction
- Solid / glazed door
- Foamed-in door PU sealing gasket
- 135° concealed hinges
- 5mm Double-bit insert polyamide lock
- Bottom gland plate
- One piece PE gasket for gland plate



On Request

- Special sizes
- Special colour
- Pre-punching



Supply Includes

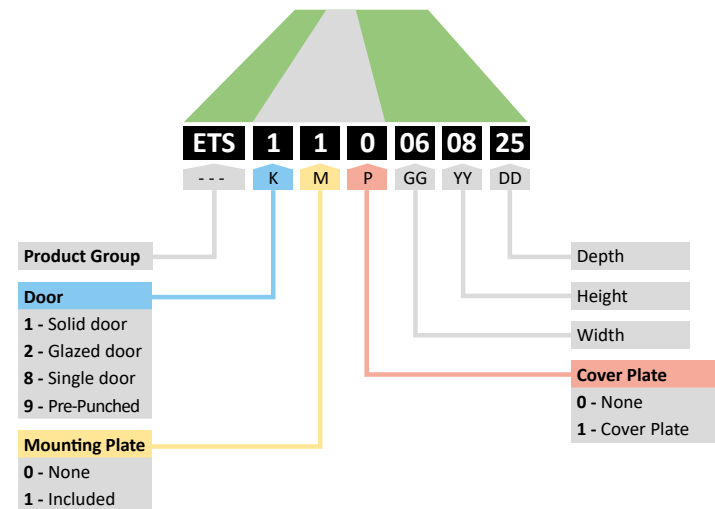
- Body
- Door (Select ≈ **K**)
- Mounting plate (Option ≈ **M**)
- Cover plate set (Option ≈ **P**)
- Gland plate with gasket
- 4/6 pcs wall brackets

Complementary Accessories

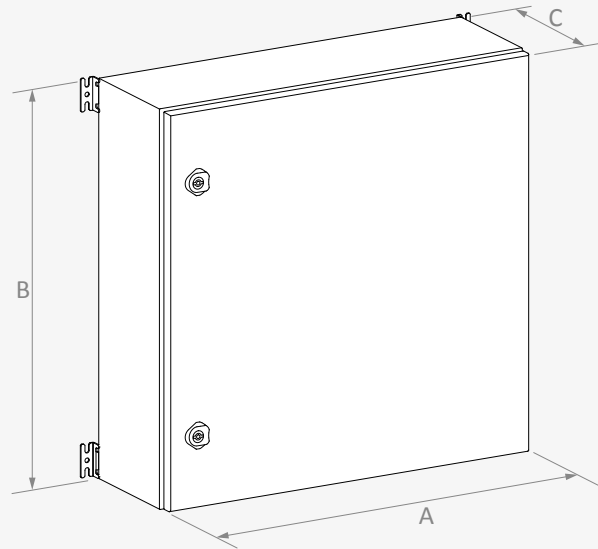
- Rain canopy
- Support base
- DIN rail
- Cover plate and profiles
- Standoff
- Door inside mounting profile
- Pole fitting set
- Plastic cover plate
- Special locks and keys
- Earthing cable

Width A	Height B	Depth C	Reference	Door pcs	Lock Type *	Lock pcs	Hinge pcs	Wall Bracket pcs	Weight ** kg	Application Options				
										Glazed Door Y/N	Cover Plate System Y/N	Standard Cover Plate Set Y/N	Rain Canopy Y/N	Support Base Y/N
300	300	150	ETS xxx 030315	1	C	1	2	4	6,5	✓	-	-	✓	✓
		200	ETS xxx 030320	1	C	1	2	4	7,4	✓	✓	✓	✓	✓
	400	150	ETS xxx 030415	1	C	1	2	4	8,2	✓	-	-	✓	✓
		200	ETS xxx 030420	1	C	1	2	4	9,0	✓	✓	✓	✓	✓
400	400	200	ETS xxx 040420	1	C	1	2	4	11,2	✓	✓	✓	✓	✓
		500	ETS xxx 040520	1	C	1	2	4	13,4	✓	✓	✓	✓	✓
	600	200	ETS xxx 040620	1	C	2	2	4	14,8	✓	✓	✓	✓	✓
		250	ETS xxx 040625	1	C	2	2	4	16,7	✓	✓	-	✓	✓
500	500	200	ETS xxx 050520	1	C	1	2	4	16,0	✓	✓	✓	✓	✓
	700	200	ETS xxx 050720	1	C	2	3	4	21,2	✓	✓	✓	✓	✓
		250	ETS xxx 050725	1	C	2	3	4	22,9	✓	✓	-	✓	✓
600	600	200	ETS xxx 060620	1	C	2	2	4	22,1	✓	✓	✓	✓	✓
		200	ETS xxx 060820	1	C	2	3	6	28,0	✓	✓	✓	✓	✓
	1000	250	ETS xxx 060825	1	C	2	3	6	29,5	✓	✓	-	✓	✓
		200	ETS xxx 061020	1	C	2	3	6	34,6	✓	✓	✓	✓	✓
800	800	250	ETS xxx 061025	1	C	2	3	6	37,0	✓	✓	-	✓	✓
		200	ETS xxx 080820	1	C	2	3	6	35,2	✓	-	-	✓	✓
	1000	300	ETS xxx 081030	1	C	2	4	6	49,5	✓	-	-	✓	✓

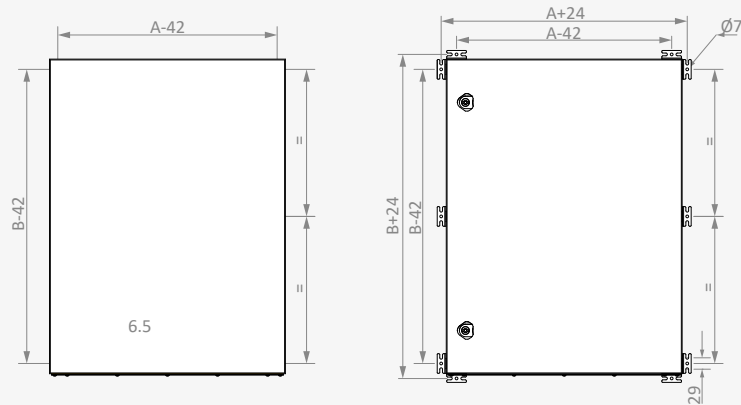
* C: Quarter Turn
** For ETS 110 GG YY DD



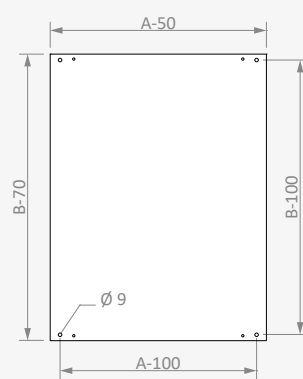
- Product Group**
- Door**
 - 1 - Solid door
 - 2 - Glazed door
 - 8 - Single door
 - 9 - Pre-Punched
- Mounting Plate**
 - 0 - None
 - 1 - Included
- Cover Plate**
 - 0 - None
 - 1 - Cover Plate
- Depth**
- Height**
- Width**



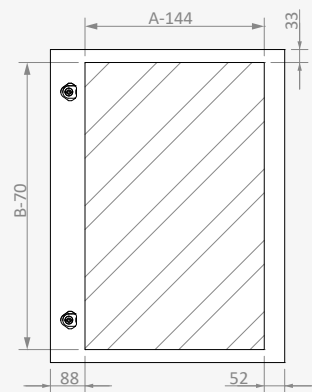
WALL MOUNTING



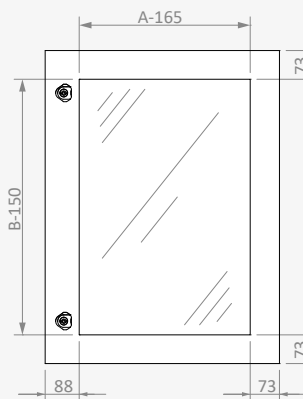
MOUNTING PLATE



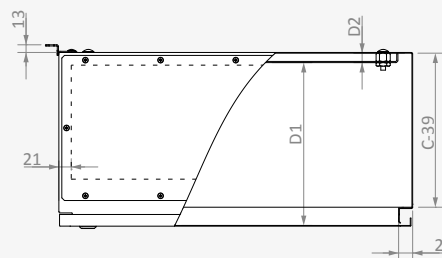
SOLID DOOR USEFUL AREA



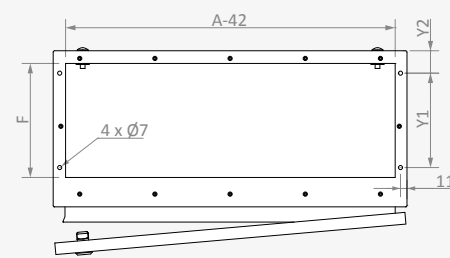
GLAZED DOOR APPARENT AREA



DEPTH DIMENSIONS



Width	Depth	D1	D2	F	Y1	Y2
A	C	D1	D2	F	Y1	Y2
A < 600	150	129	13	59	45	23
	200	179	13	109	80	38
	300	279	13	193	160	38
A ≥ 600	200	176	16	109	80	38
	300	276	16	193	160	38



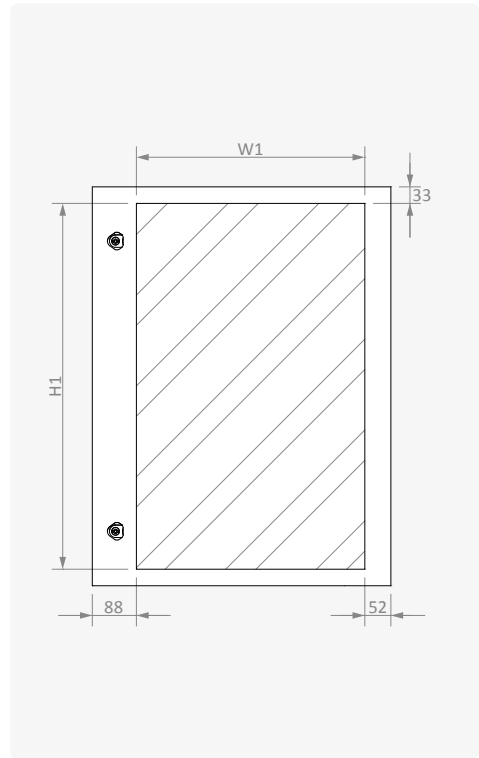
Width A	Height B	Depth C	Reference	Useful Area			Glazed Door Apparent Area		Gland Plate			Wall Mounting						Mounting Plate	
				Door		Side			#	↔	↗	With Bracket			Internal		↔	↕	
				↔	↕	↗	↔	↕				↔	↕	↔	↕				
300	300	150	ETS xxx 030315	156	230	127	135	150	1	260	60	324	258	258	324	258	248	250	230
		200	ETS xxx 030320	156	230	177	135	150	1	260	110	324	258	258	324	258	248	250	230
	400	150	ETS xxx 030415	156	330	127	135	250	1	260	60	324	358	258	424	258	348	250	330
		200	ETS xxx 030420	156	330	177	135	250	1	260	110	324	358	258	424	258	348	250	330
400	400	200	ETS xxx 040420	256	330	177	235	250	1	360	110	424	358	358	424	358	348	350	330
		500	ETS xxx 040520	256	430	177	235	350	1	360	110	424	458	358	524	358	448	350	430
	600	200	ETS xxx 040620	256	530	177	235	450	1	360	110	424	558	358	624	358	548	350	530
		250	ETS xxx 040625	256	530	227	235	450	1	360	160	424	558	358	624	358	548	350	530
500	500	200	ETS xxx 050520	356	430	177	335	350	1	460	110	524	458	458	524	458	448	450	430
		700	ETS xxx 050720	356	630	177	335	550	1	460	110	524	658	458	724	458	648	450	630
	250	ETS xxx 050725	356	630	227	335	550	1	460	160	524	658	458	724	458	648	450	630	
600	600	200	ETS xxx 060620	456	530	177	435	450	1	560	110	624	558	558	624	558	548	550	530
		800	ETS xxx 060820	456	730	177	435	650	1	560	110	624	758	558	824	558	748	550	730
	1000	250	ETS xxx 060825	456	730	227	435	650	1	560	160	624	758	558	824	558	748	550	730
		200	ETS xxx 061020	456	930	177	435	850	1	560	110	624	958	558	1024	558	948	550	930
800	1000	250	ETS xxx 061025	456	930	227	435	850	1	560	160	624	958	558	1024	558	948	550	930
		200	ETS xxx 080820	656	730	177	635	650	1	760	110	824	758	758	824	758	748	750	730
800	1000	300	ETS xxx 081030	656	930	277	635	850	1	760	210	824	958	758	1024	758	948	750	930

SOLID DOOR

Reference	Width		Height		Useful Area		Door	Lock Type	Lock	Hinge	Door Thickness	Weight
	A mm	B mm	W1 mm	H1 mm	pcs	*						
ETS KP 0303	300	300	156	230	1	C	1	2	1.2	1.10		
ETS KP 0304	300	400	156	330	1	C	1	2	1.2	1.50		
ETS KP 0305	300	500	156	430	1	C	1	2	1.2	1.80		
ETS KP 0404	400	400	256	330	1	C	1	2	1.2	1.90		
ETS KP 0405	400	500	256	430	1	C	1	2	1.2	2.40		
ETS KP 0406	400	600	256	530	1	C	2	2	1.2	2.80		
ETS KP 0505	500	500	356	430	1	C	1	2	1.2	2.90		
ETS KP 0507	500	700	356	630	1	C	2	3	1.2	4.00		
ETS KP 0606	600	600	456	530	1	C	2	2	1.2	4.10		
ETS KP 0608	600	800	456	730	1	C	2	3	1.2	5.40		
ETS KP 0610	600	1000	456	930	1	C	2	3	1.2	6.70		
ETS KP 0808	800	800	656	730	1	C	2	3	1.2	7.10		
ETS KP 0810	800	1000	656	930	1	C	2	4	1.5	11.10		

Characteristics		Supply Includes	
Material	DIN EN 10130 DC01 CCRS	Lock	
Surface Finishing	RAL7035w powder coating	Double door gutter gasket	

* C: Quarter Turn

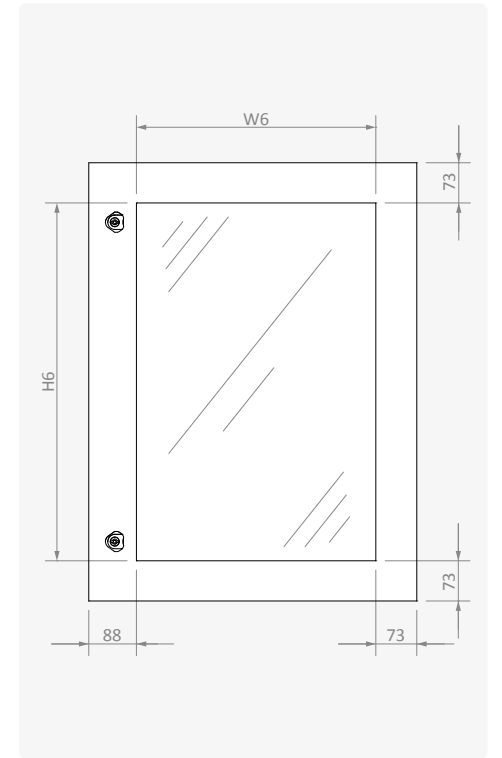


GLAZED DOOR

Reference	Width		Height		Apparent Area		Lock Type	Lock	Hinge	Door Thickness	Weight
	A mm	B mm	W6 mm	H6 mm	*	pcs					
ETS KPX 0303	300	300	135	150	C	1	2	1.2	1.20		
ETS KPX 0304	300	400	135	250	C	1	2	1.2	1.60		
ETS KPX 0305	300	500	135	350	C	1	2	1.2	2.00		
ETS KPX 0404	400	400	235	250	C	1	2	1.2	2.10		
ETS KPX 0405	400	500	235	350	C	1	2	1.2	2.60		
ETS KPX 0406	400	600	235	450	C	2	2	1.2	3.10		
ETS KPX 0505	500	500	335	350	C	1	2	1.2	3.20		
ETS KPX 0507	500	700	335	550	C	2	3	1.2	4.40		
ETS KPX 0606	600	600	435	450	C	2	2	1.2	4.50		
ETS KPX 0608	600	800	435	650	C	2	3	1.2	6.00		
ETS KPX 0610	600	1000	435	850	C	2	3	1.2	7.40		
ETS KPX 0808	800	800	635	650	C	2	3	1.2	7.80		
ETS KPX 0810	800	1000	635	850	C	2	4	1.5	10.70		

Characteristics		Supply Includes	
Material	DIN EN 10130 DC01 CCRS / 4mm tempered glass	Lock	
Surface Finishing	RAL7035w powder coating	C: Quarter Turn	

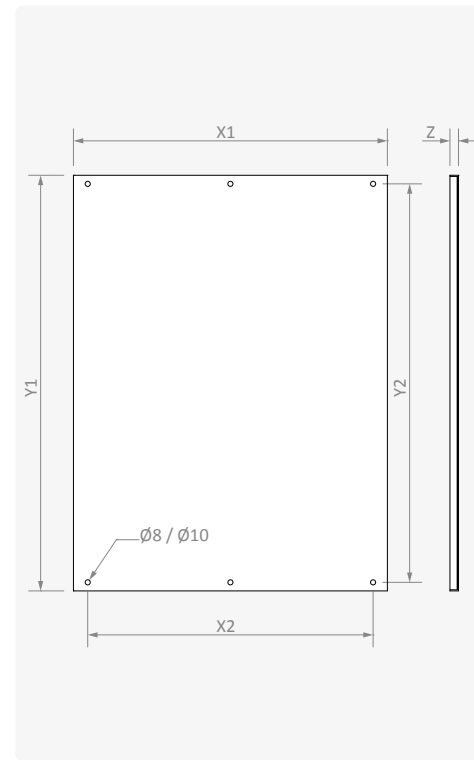
Characteristics		Supply Includes	
Material	DIN EN 10130 DC01 CCRS / 4mm tempered glass	Lock	
Surface Finishing	RAL7035w powder coating	C: Quarter Turn	



MOUNTING PLATE

Reference	Width		External Dimensions			Mounting Dimensions			Thickness	Weight
	A	B	X1	Y1	Z	X2	Y2	D		
	mm	mm	mm	mm	mm	mm	mm	mm	mm	kg
ETS TS 0303	300	300	250	230	12	Center	200	M6	1.5	1.0
ETS TS 0304	300	400	250	330	12	Center	300	M6	1.5	1.4
ETS TS 0305	300	500	250	430	12	Center	400	M6	1.5	1.8
ETS TS 0404	400	400	350	330	12	300	300	M6	1.5	1.9
ETS TS 0405	400	500	350	430	12	300	400	M6	1.5	2.5
ETS TS 0406	400	600	350	530	12	300	500	M6	1.5	3.1
ETS TS 0505	500	500	450	430	12	400	400	M6	1.5	3.3
ETS TS 0507	500	700	450	630	12	400	600	M6	1.5	4.8
ETS TS 0606	600	600	550	530	15	500	500	M8	1.5	5.0
ETS TS 0608	600	800	550	730	15	500	700	M8	1.5	6.9
ETS TS 0610	600	1000	550	930	15	500	900	M8	1.5	8.7
ETS TS 0808	800	800	750	730	15	700	700	M8	1.5	8.8
ETS TS 0810	800	1000	750	930	15	700	900	M8	2.0	11.7

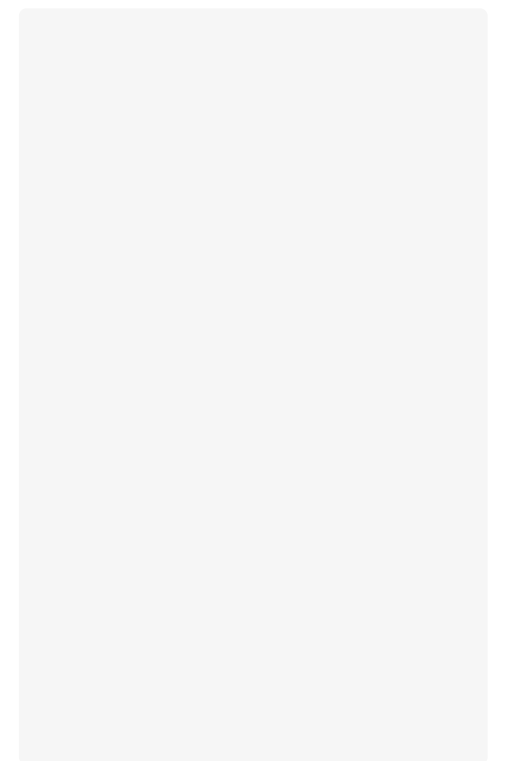
Characteristics	
Material	DIN EN 10346 DX51D+Z galvanized
Thickness	1.5 - 2 mm



STANDARD COVER PLATE SET

Reference	Width		Height		Cover Plate Quantity	Capacity	Module Cut-Out		Solid Cover Plate			
	A	B	Height	Height			Height	Height	Height	Height		
	mm	mm	mm	mm	pcs	Module	120	160	100	120	140	160
ETS PT 0303	300	300			2	12		1			1	
ETS PT 0304	300	400			3	24	1	1	1			
ETS PT 0305	300	500			4	24	1	1	2			
ETS PT 0404	400	400			3	36	1	1	1			
ETS PT 0405	400	500			4	36	1	1	2			
ETS PT 0406	400	600			4	54	1	2			1	
ETS PT 0505	500	500			3	48		2				1
ETS PT 0507	500	700			5	72	1	2		2		
ETS PT 0606	600	600			4	87	1	2			1	
ETS PT 0608	600	800			6	116	2	2	1	1		
ETS PT 0610	600	1000			7	145	1	4	1	1		

Characteristics		Supply Includes	
Material	DIN EN 10130 DC01 CCRS	Cover plates / Cover plate profiles	
Surface Finishing	RAL7035w powder coating	Cover plate profile fasteners	

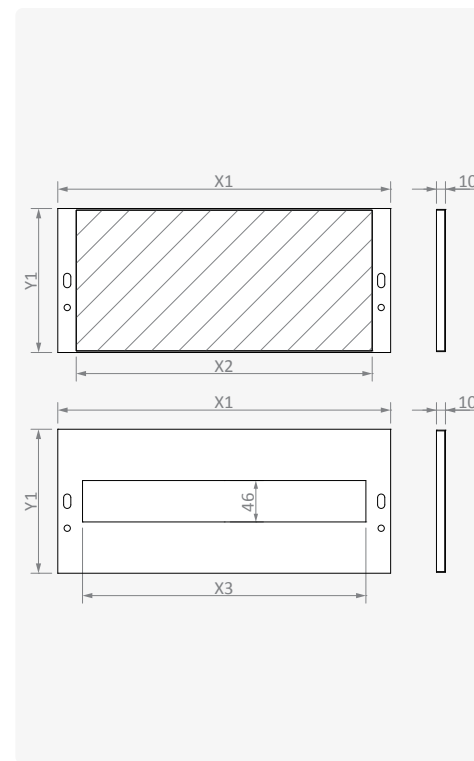


COVER PLATES

Reference	Width	External Dimensions		Useful Area	Module Cut-Out		Weight kg
	A mm	X1 mm	Y1 mm	X2 mm	X3 mm	Capacity Module	
ETS PL 3010	300	268	98	225	-	-	0.3
ETS PL 3012	300	268	118	225	-	-	0.3
ETS PL 3016	300	268	158	225	-	-	0.4
ETS PL 4010	400	368	98	325	-	-	0.3
ETS PL 4012	400	368	118	325	-	-	0.4
ETS PL 4016	400	368	158	325	-	-	0.5
ETS PL 5010	500	468	98	425	-	-	0.4
ETS PL 5012	500	468	118	425	-	-	0.4
ETS PL 5016	500	468	158	425	-	-	0.7
ETS PL 6010	600	568	98	525	-	-	0.5
ETS PL 6012	600	568	118	525	-	-	0.6
ETS PL 6016	600	568	158	525	-	-	0.8
ETS PL 3012W	300	268	118	-	215	12	0.2
ETS PL 3016W	300	268	158	-	215	12	0.3
ETS PL 4012W	400	368	118	-	320	18	0.3
ETS PL 4016W	400	368	158	-	320	18	0.4
ETS PL 5012W	500	468	118	-	425	24	0.4
ETS PL 5016W	500	468	158	-	425	24	0.5
ETS PL 6012W	600	568	118	-	515	29	0.4
ETS PL 6016W	600	568	158	-	515	29	0.6

Characteristics	
Material	DIN EN 10130 DC01 CCRS
Surface Finishing	RAL7035w powder coating
Thickness	0.9 mm

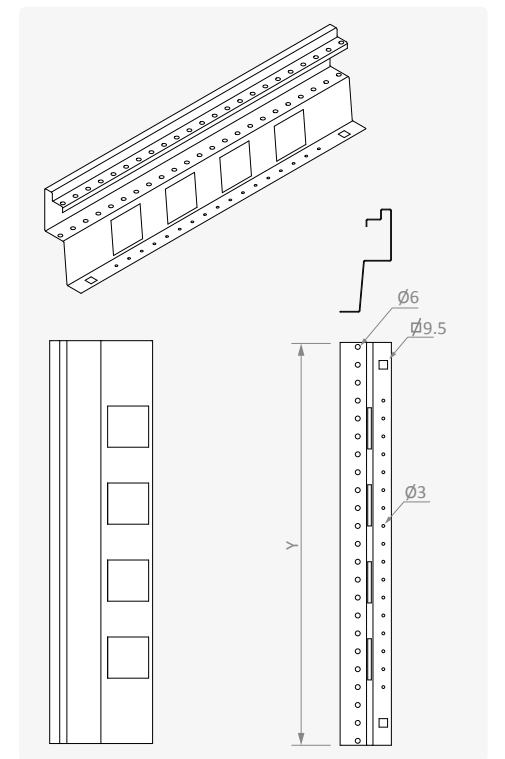
Supply Includes	
Cover plate profiles fasteners and plastic nuts	
Handles	



COVER PLATE PROFILE

Reference	Height	External Dimensions	Packet	Weight kg
	B mm	Y mm	pcs/packet	
ETS PR 030	300	250	2	0.7
ETS PR 040	400	350	2	1.0
ETS PR 050	500	450	2	1.3
ETS PR 060	600	550	2	1.5
ETS PR 070	700	650	2	1.8
ETS PR 080	800	750	2	2.1
ETS PR 100	1000	950	2	2.6

Characteristics	
Material	DIN EN 10130 DC01 CCRS
Surface Finishing	RAL7035w powder coating
Thickness	1.2 mm



WALL MOUNTED ENCLOSURES

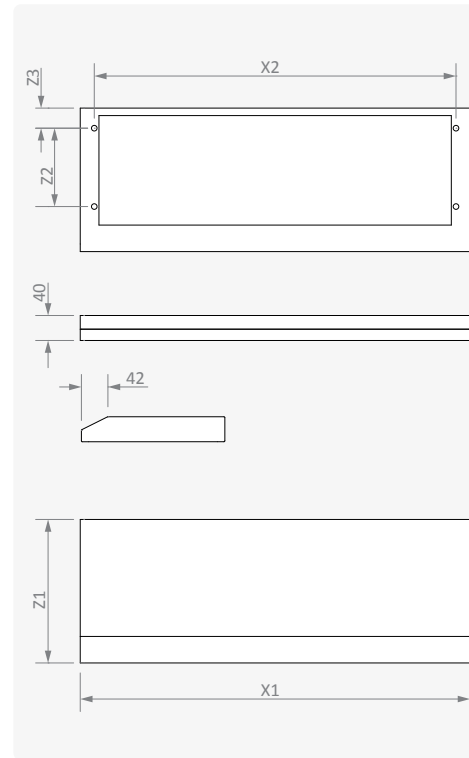
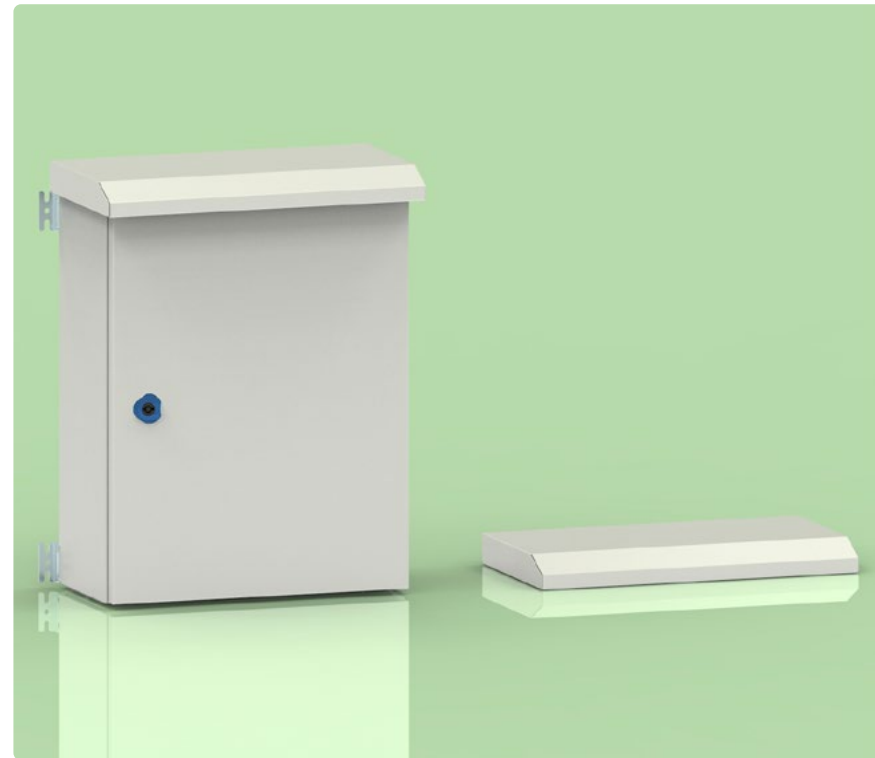
WALL MOUNTED ENCLOSURES

RAIN CANOPY

Reference	Width		Depth		External Dimensions		Mounting Dimensions			Weight kg
	A mm	C mm	X1 mm	Z1 mm	X2 mm	Z2 mm	Z3 mm			
ETS HS 0315	300	150	325	175	278	45	23	1.1		
ETS HS 0320	300	200	325	225	278	80	38	1.6		
ETS HS 0420	400	200	425	225	378	80	38	2.0		
ETS HS 0425	400	250	425	275	378	110	38	2.6		
ETS HS 0520	500	200	525	225	478	80	38	2.4		
ETS HS 0525	500	200	525	225	478	80	38	2.4		
ETS HS 0620	600	200	625	225	578	80	38	2.7		
ETS HS 0625	600	250	625	275	578	110	38	3.5		
ETS HS 0820	800	200	825	225	778	80	38	3.6		
ETS HS 0830	800	300	825	325	778	160	38	4.7		

Characteristics	
Material	DIN EN 10130 DC01 CCRS
Surface Finishing	RAL7035w powder coating
Thickness	1.2 mm

Supply Includes	
Mounting fasteners	

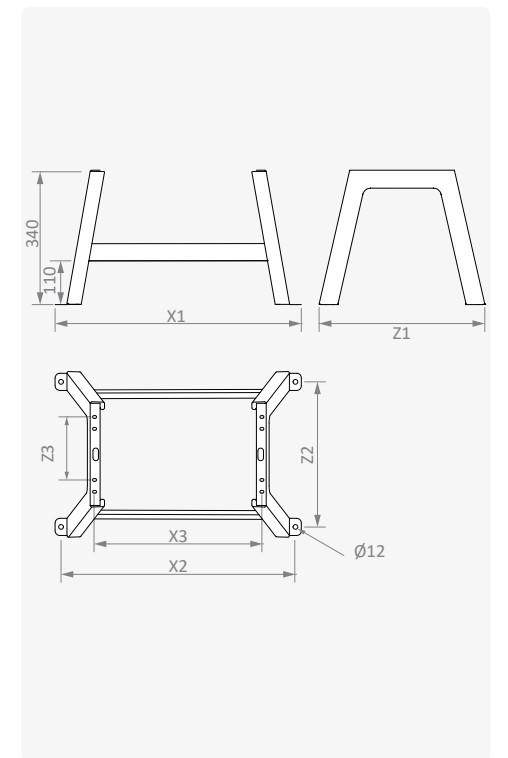
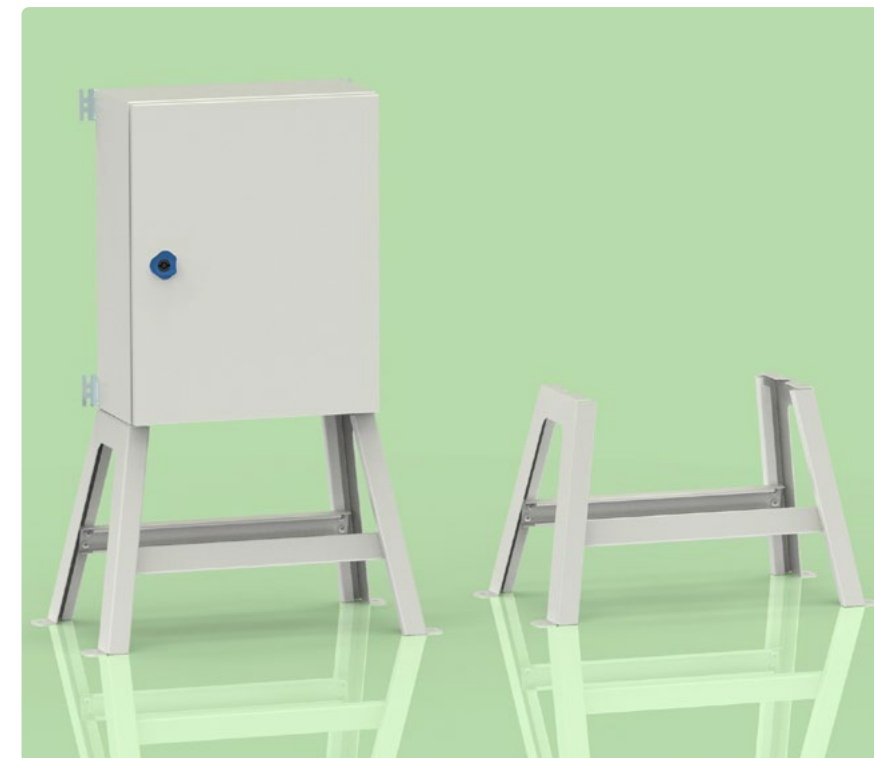


SUPPORT BASE

Width A mm	Depth C mm	Reference	Reference	External Dimensions		Mounting Dimensions				Weight kg
				X1 mm	Z1 mm	X2 mm	Z2 mm	X3 mm	Z3 mm	
300	150	PNETSATG03	PNETSATD15	478	270	448	218	278	45	3,2
300	200	PNETSATG03	PNETSATD20	478	320	448	268	278	80	3.4
400	200	PNETSATG04	PNETSATD20	578	320	548	268	378	80	3.5
400	250	PNETSATG04	PNETSATD20	578	320	548	268	378	80	3.5
500	200	PNETSATG05	PNETSATD20	678	320	648	268	478	80	3.8
500	250	PNETSATG05	PNETSATD20	678	320	648	268	478	80	3.8
600	200	PNETSATG06	PNETSATD20	778	320	748	268	578	80	4.0
600	250	PNETSATG06	PNETSATD20	778	320	748	168	578	80	4.0
800	200	PNETSATG08	PNETSATD20	978	320	948	268	778	80	4.3
800	300	PNETSATG08	PNETSATD30	978	420	948	368	778	160	4.6

Characteristics	
Material	DIN EN 10130 DC01 CCRS
Surface Finishing	RAL7035w powder coating
Thickness	2 mm

Supply Includes	
Mounting fasteners	

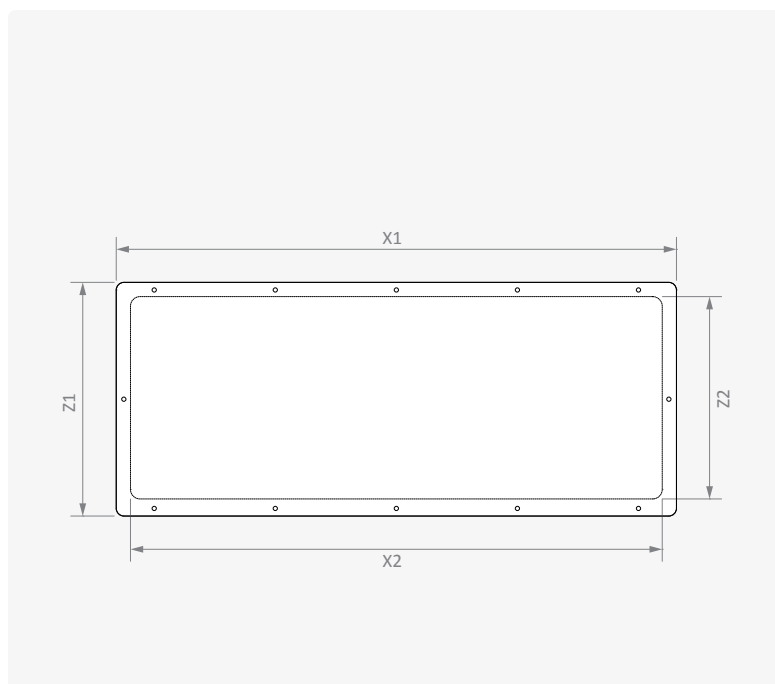


CABLE GLAND PLATE

Reference	Width		Depth		External Dimensions		Useful Area		Weight kg
	A mm	C mm	X1 mm	Z1 mm	X2 mm	Z2 mm			
ETS GP 3015	300	150	290	96	260	60	0.4		
ETS GP 3020	300	200	290	146	260	110	0.6		
ETS GP 4015	400	150	390	96	360	59	0.5		
ETS GP 4020	400	200/250	390	146	360	110	0.7		
ETS GP 5020	500	200/250	490	146	460	110	0.9		
ETS GP 6020	600	200/250	590	146	560	110	1.1		
ETS GP 8020	800	200	790	146	760	110	1.4		
ETS GP 8030	800	300	790	246	760	193	2.4		

Characteristics	
Material	DIN EN 10130 DC01 CCRS
Surface Finishing	RAL7035w powder coating
Thickness	1.5 mm

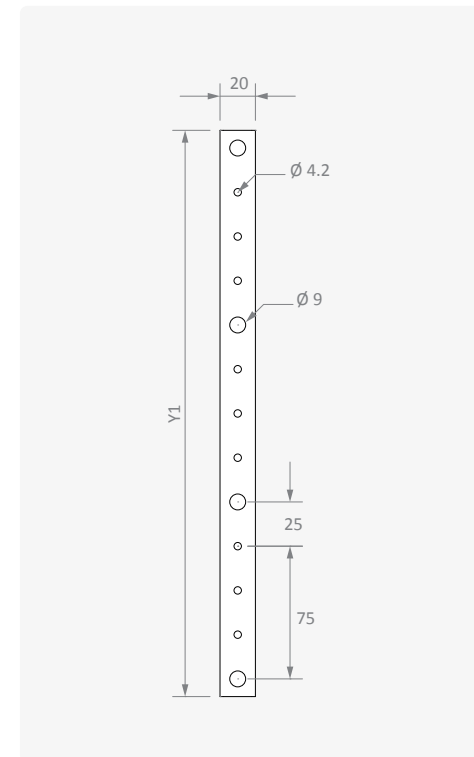
Supply Includes	
One piece PE gasket	
Mounting fasteners	



MOUNTING PROFILE INSIDE DOOR

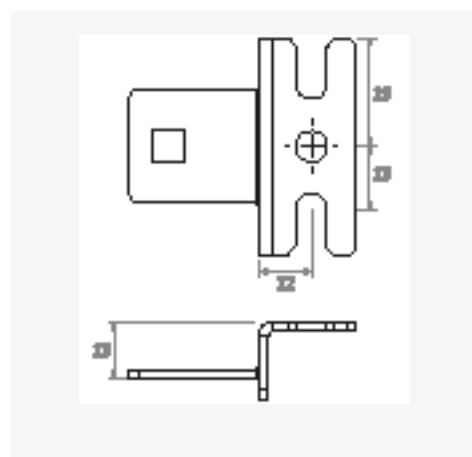
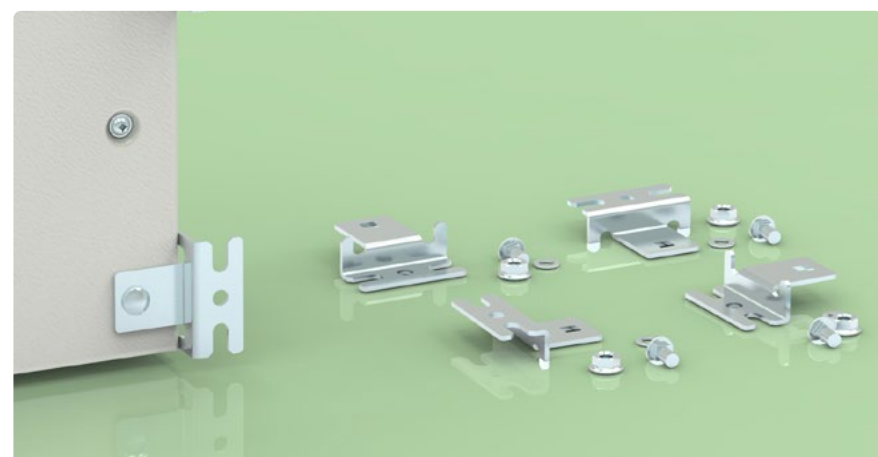
Reference	Height	Length	Weight
	B	Y1	
AS KU Y00400	300	220	1.1
AS KU Y00500	400	320	1.2
AS KU Y00600	500	420	0.3
AS KU DRM100	600	520	0.4
AS KU Y00800	700	620	0.4
AS KU D00900	800	720	0.5
AS KU DRM120	1000	920	0.6

Characteristics	
Material	20x20 square profile galvanized
Thickness	1.2 mm



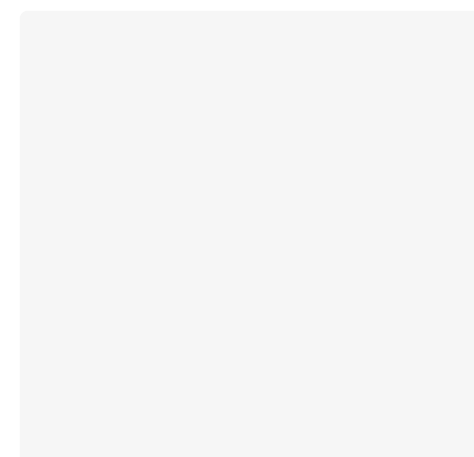
WALL BRACKETS

Reference	Packet	Weight	Characteristics		Supply Includes
	pcs/packet	kg/packet	Material	DIN EN 10130 DC01 CCRS	
AK KL 0010	4	0.16	Surface Finishing	Zinc coated Cr ³⁺ passivation	Wall mounting screws
AK KL 0011	6	0.25	Thickness	2 mm	



PLASTIC COVER PLATE

Reference	Width	Packet	Weight	Characteristics	
	Module	pcs/packet	kg/packet	Material	ABS
SI OP 0000010	4	50	0.35	Separable 4 pieces	

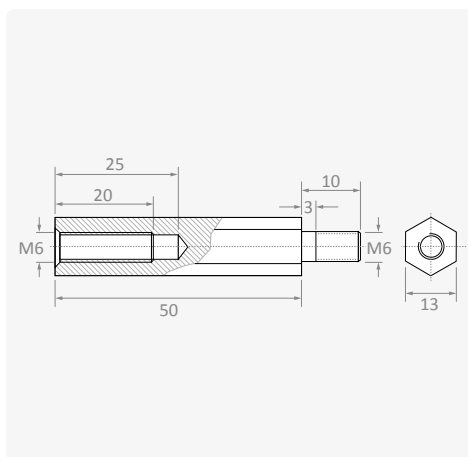


STANDOFF

Reference	External Dimensions		Width Across Flats		Connection	Packet	Weight
	H mm	L mm	mm				
HD BM 00000196	25	13	M6 / M6		20	0.5	
HD BM 00000200	50						
HD BM 00000240	75						
HD BM 00000210	125						
HD BM 00000220	50						
HD BM 00000230	125	17	M8 / M8		20	4.7	

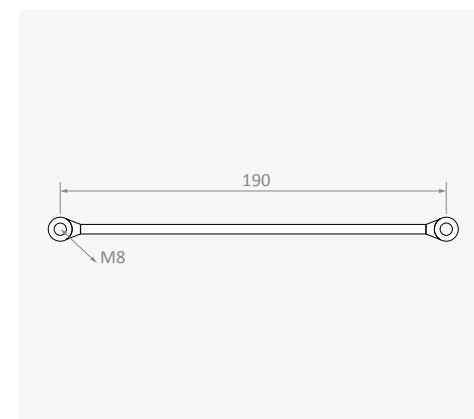
Characteristics

Material	Hexagonal free-cutting steel
Surface Finishing	Zinc coated; Cr ³⁺ passivation
Connection	male/female



EARTHING CABLE

Reference	Material	Cross-Section	Length	Connection	Packet	Weight
		mm ²	mm			
KBOZ 06 01908080	Yellow - Green, Isolated copper conductor	6	190	M8-M8	10	0.2
KB TP 16092200	Nickel Plated, Braided Copper Conductor	16	200	M8-M8	10	0.3



LOCK AND KEYS

Reference	Lock Type	Material		Description	Key Code
		Casing	Cam		
KIATKY2535796T1	C	Polyamide	Polyamide	5 mm Double-bit	KIAN 0100

* C: Quarter Turn;
** Keys should be ordered separately.



SPECIAL LOCKS AND KEYS

Reference	Lock Type	Material		Description		Image #	Key Code
		Casing	Cam	Key Type	Casing Type		
KIMS 0601115211	C	Chrome Coated Zamak	Zinc coated steel	5mm Double-bit		1	KIAN 0100
KIEM D5KQ0ZS2M1	C	Black Powder Coated Zamak	Zinc coated steel	5mm Double-bit	Padlockable	2	KIAN 0100
KIMS 0601137211	C	Chrome Coated Zamak	Zinc coated steel	6.5mm Triangular		3	KIMSN 06737
KIMS 0601127211	C	Chrome Coated Zamak	Zinc coated steel	8mm Triangular		4	KIMSN 06738
KIMS 0601138211	C	Chrome Coated Zamak	Zinc coated steel	7mm Square		5	KIMSN 06727
KIMS 063110522	C	Chrome Coated Zamak	Zinc coated steel	Euro Key		6	KIM 55333
KIMS 065110522	C	Chrome Coated Zamak	Zinc coated steel	Euro Key	Wing Knob	7	KIM 55333
KIMS 0622021	C	Polyamide	Zinc coated steel	-	Wing Knob	8	-
KIMS 0621122	C	Chrome Coated Zamak	Zinc coated steel	-	Wing Knob	9	-
KIEM KEZQ0ZS2M0	C	Chrome Coated Zamak	Zinc coated steel	-	Padlockable	10	-

* C: Quarter Turn; You can see lock quantities of single door and double door enclosures on table at "Overview Page".
** Keys should be ordered separately.



DIN RAILS

Reference	Width	Height	Hole	Length	Weight
	mm	mm			
MR KL 500603	35	7.5	No	2	0.7
MR KL 500604	35	7.5	Yes	2	0.7
MR KL 500609	35	15	Yes	2	1.2

Characteristics

Material	DIN EN 10130 DC01 CCRS
Surface Finishing	Zinc coated Cr ³⁺ passivation
Standards	DIN EN 60715

