

Characteristics

Material

Sheet Steel (EN 10130 DC01)

- Frame : 1.5 mm
- Panel : 1.5 mm
- Door : 2 mm
- Plinth : 2 mm

Galvanized Steel (EN 10346 DX51D+Z)

- Mounting plate : 2 mm

Surface Finishing

- RAL7035w powder coating

IP Rating

- IP55 (TS 3033, EN 60529)

Others

- Welded frame construction
- Foamed-in door/rear panel PU sealing gasket
- Swing-handle polyamide lock (3 points locking, 333 key)
- Door and panel options for rear side
- Multiple mounting plate possibility
- The modular construction can be join
- Removable side panels
- Plinth and cover options



On Request

- Special sizes
- Special colour
- Pre-punching
- Flat pack options



Supply Includes

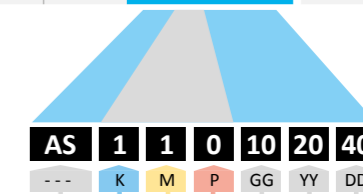
- Front and rear frame
- Door (Select = **K**)
- Rear panel (Select = **K**)
- Mounting plate (Option = **M**)
- Plinth (Option = **P**)
- Top cover
- 4/6 pcs side rails
- Door inside mounting profile

Complementary Accessories

- Side panel
- Eye bolt
- Rain canopy
- Cover plate and profiles
- Hinged cover plate
- Short mounting plate
- Partial mounting plate
- Infill mounting plate
- Carriage depth slide and support
- Partition profile
- L, U and Z profiles
- L and Z brackets
- Busbar & depth profile
- Ladder busbar profile
- Joining set
- Adjustable / pull out perforated shelf
- Plan pocket
- Plastic cover plate
- Earthing cable

Width	Height	Depth	Reference	Door	Hinge	Glazed Door
A	B	C				
mm	mm	mm		pcs	pcs	Y / N
400	1800	400	AS xxx 041840	1	3	✓
		500	AS xxx 041850	1	3	✓
		600	AS xxx 041860	1	3	✓
		800	AS xxx 041880	1	3	✓
	2000	400	AS xxx 042040	1	3	✓
		500	AS xxx 042050	1	3	✓
		600	AS xxx 042060	1	3	✓
		800	AS xxx 042080	1	3	✓
600	600	400	AS xxx 060640	1	2	✓
		500	AS xxx 060650	1	2	✓
	900	400	AS xxx 060940	1	2	✓
		500	AS xxx 060950	1	2	✓
	1200	400	AS xxx 061240	1	2	✓
		500	AS xxx 061250	1	2	✓
	1500	400	AS xxx 061540	1	3	✓
		500	AS xxx 061550	1	3	✓
		600	AS xxx 061560	1	3	✓
		800	AS xxx 061580	1	3	✓
	1800	400	AS xxx 061840	1	3	✓
		500	AS xxx 061850	1	3	✓
		600	AS xxx 061860	1	3	✓
		800	AS xxx 061880	1	3	✓
	2000	400	AS xxx 062040	1	3	✓
		500	AS xxx 062050	1	3	✓
600		AS xxx 062060	1	3	✓	
800		AS xxx 062080	1	3	✓	
800	600	400	AS xxx 080640	1	2	✓
		500	AS xxx 080650	1	2	✓
		600	AS xxx 080660	1	2	✓
	900	400	AS xxx 080940	1	2	✓
		500	AS xxx 080950	1	2	✓
	1200	400	AS xxx 081240	1	2	✓
		500	AS xxx 081250	1	2	✓
	1500	400	AS xxx 081540	1	3	✓
		500	AS xxx 081550	1	3	✓
	1800	400	AS xxx 081840	1	3	✓
		500	AS xxx 081850	1	3	✓
	2000	400	AS xxx 081860	1	3	✓
		800	AS xxx 081880	1	3	✓
	2000	400	AS xxx 082040	1	3	✓
			AS xxx 082050	1	3	✓
		500	AS xxx 082060	1	3	✓
			AS xxx 082080	1	3	✓

Width	Height	Depth	Reference	Door	Hinge	Glazed Door
A	B	C				
mm	mm	mm		pcs	pcs	Y / N
1000	1800	400	AS xxx 101840	2	3+3	-
		500	AS xxx 101850	2	3+3	-
		600	AS xxx 101860	2	3+3	-
		800	AS xxx 101880	2	3+3	-
	2000	400	AS xxx 102040	2	3+3	-
		500	AS xxx 102050	2	3+3	-
		600	AS xxx 102060	2	3+3	-
		800	AS xxx 102080	2	3+3	-
1200	1800	400	AS xxx 121840	2	3+3	-
		500	AS xxx 121850	2	3+3	-
		600	AS xxx 121860	2	3+3	-
	2000	400	AS xxx 121880	2	3+3	-
		400	AS xxx 122040	2	3+3	-
		500	AS xxx 122050	2	3+3	-
		600	AS xxx 122060	2	3+3	-
		800	AS xxx 122080	2	3+3	-



Product Group

Door / Rear Panel

- 1 - Solid door + Rear Panel
- 2 - Glazed door + Rear Panel
- 3 - Pre-punched D. + Rear Panel
- 4 - Solid door + Solid door
- 5 - Glazed door + Solid door
- 6 - Pre-punched D. + Solid door
- 7 - Glazed door + Glazed door
- 8 - Pre-punched D. + Glazed door
- 9 - Pre-punched D. + Pre-punched D.
- A - Solid door + Fixed Rear Panel
- B - Glazed D. + Fixed Rear Panel
- C - Pre-punched D. + Fixed Rear Panel

Mounting Plate

- 0 - None
- 1 - Mounting plate
- 2 - Double mounting plate

Depth  
Height  
Width

Plinth

- 0 - None
- 1 - 100mm / Blank cover
- 2 - 100mm / Sliding cover
- 3 - 100mm / Brushed cover
- 4 - 200mm / Blank cover
- 5 - 200mm / Sliding cover
- 6 - 200mm / Brushed cover
- 7 - Bottom cover plate

QUICK SELECTION TABLE

MODULAR ENCLOSURES

QUICK SELECTION TABLE

MODULAR ENCLOSURES



K →  
M →  
P →

Solid door + Rear Panel  
--  
--

Solid door + Rear Panel  
Mounting Plate  
Plinth - Blank Cover

Solid door + Fixed Rear Panel  
Mounting Plate  
200 mm Plinth - Blank Cover

Glazed door + Rear Panel  
Mounting Plate  
Plinth - Blank Cover

Solid Door + Solid Door  
Double Mounting Plate  
200 mm Plinth - Brushed Cover

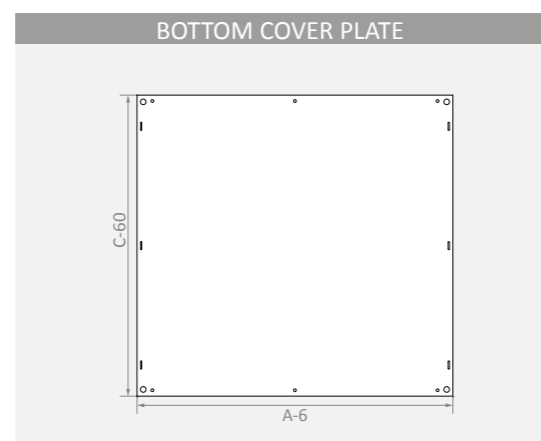
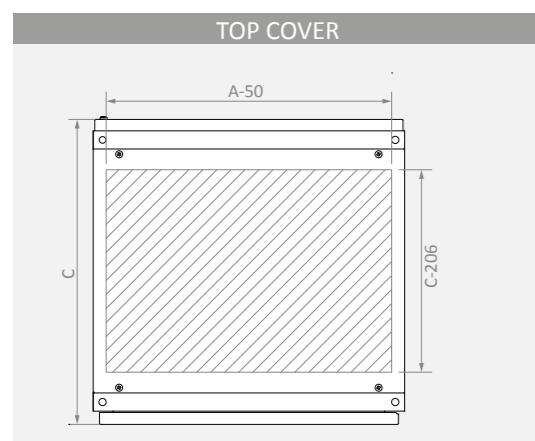
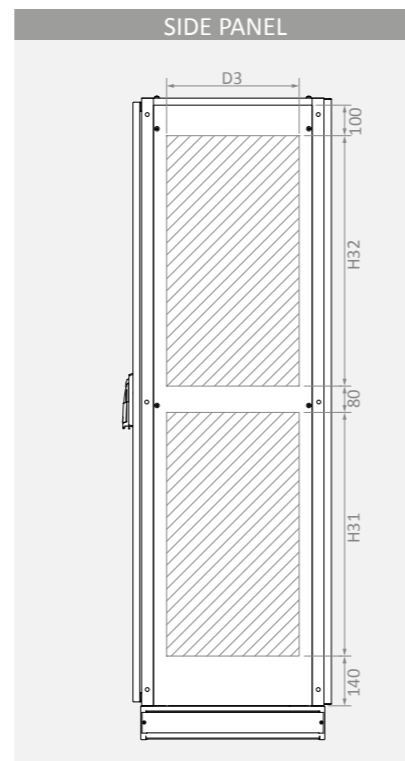
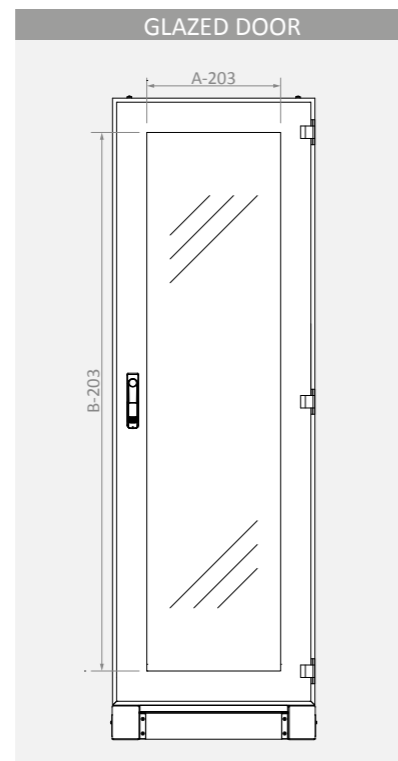
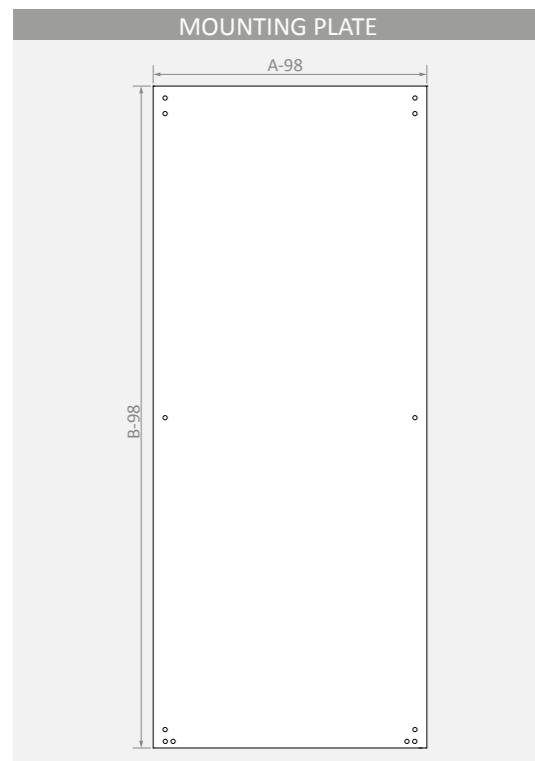
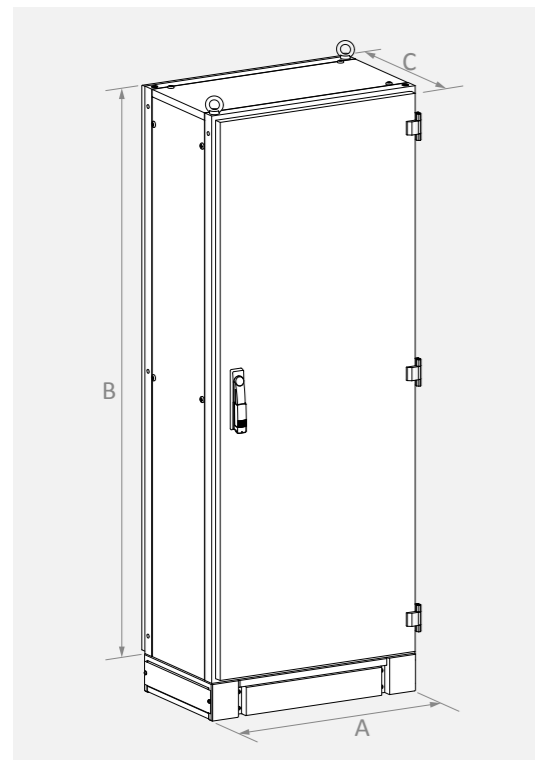
Glazed Door + Solid Door  
Double Mounting Plate  
Plinth - Blank Cover

Solid Door + Yekpare Sirt  
Mounting Plate  
200 mm Plinth - Brushed Cover

Width	Height	Depth	Door	Reference	Reference	Reference	Reference	Reference	Reference	Reference	Reference
A	B	C									
mm	mm	mm	pcs								
400	1800	400	1	AS 100 041840	AS 111 041840	AS A14 041840	AS 211 041840	AS 426 041840	AS 521 041840	AS A16 041840	
		600	1	AS 100 041860	AS 111 041860	AS A14 041860	AS 211 041860	AS 426 041860	AS 521 041860	AS A16 041860	
	2000	500	1	AS 100 042050	AS 111 042050	AS A14 042050	AS 211 042050	AS 426 042050	AS 521 042050	AS A16 042050	
		600	1	AS 100 042060	AS 111 042060	AS A14 042060	AS 211 042060	AS 426 042060	AS 521 042060	AS A16 042060	
600	600	600	1	AS 100 060660	AS 111 060660	AS A14 060660	AS 211 060660	AS 426 060660	AS 521 060660	AS A16 060660	
		900	1	AS 100 060960	AS 111 060960	AS A14 060960	AS 211 060960	AS 426 060960	AS 521 060960	AS A16 060960	
	1200	500	1	AS 100 061250	AS 111 061250	AS A14 061250	AS 211 061250	AS 426 061250	AS 521 061250	AS A16 061250	
		600	1	AS 100 061260	AS 111 061260	AS A14 061260	AS 211 061260	AS 426 061260	AS 521 061260	AS A16 061260	
	1500	400	1	AS 100 061540	AS 111 061540	AS A14 061540	AS 211 061540	AS 426 061540	AS 521 061540	AS A16 061540	
		600	1	AS 100 061560	AS 111 061560	AS A14 061560	AS 211 061560	AS 426 061560	AS 521 061560	AS A16 061560	
	1800	400	1	AS 100 061840	AS 111 061840	AS A14 061840	AS 211 061840	AS 426 061840	AS 521 061840	AS A16 061840	
		600	1	AS 100 061860	AS 111 061860	AS A14 061860	AS 211 061860	AS 426 061860	AS 521 061860	AS A16 061860	
	2000	500	1	AS 100 062050	AS 111 062050	AS A14 062050	AS 211 062050	AS 426 062050	AS 521 062050	AS A16 062050	
		600	1	AS 100 062060	AS 111 062060	AS A14 062060	AS 211 062060	AS 426 062060	AS 521 062060	AS A16 062060	
		800	1	AS 100 062080	AS 111 062080	AS A14 062080	AS 211 062080	AS 426 062080	AS 521 062080	AS A16 062080	
800	600	600	1	AS 100 080660	AS 111 080660	AS A14 080660	AS 211 080660	AS 426 080660	AS 521 080660	AS A16 080660	
		900	1	AS 100 080960	AS 111 080960	AS A14 080960	AS 211 080960	AS 426 080960	AS 521 080960	AS A16 080960	
	1200	500	1	AS 100 081250	AS 111 081250	AS A14 081250	AS 211 081250	AS 426 081250	AS 521 081250	AS A16 081250	
		600	1	AS 100 081260	AS 111 081260	AS A14 081260	AS 211 081260	AS 426 081260	AS 521 081260	AS A16 081260	
	1500	400	1	AS 100 081540	AS 111 081540	AS A14 081540	AS 211 081540	AS 426 081540	AS 521 081540	AS A16 081540	
		600	1	AS 100 081560	AS 111 081560	AS A14 081560	AS 211 081560	AS 426 081560	AS 521 081560	AS A16 081560	
	1800	500	1	AS 100 081850	AS 111 081850	AS A14 081850	AS 211 081850	AS 426 081850	AS 521 081850	AS A16 081850	
		600	1	AS 100 081860	AS 111 081860	AS A14 081860	AS 211 081860	AS 426 081860	AS 521 081860	AS A16 081860	
	2000	800	1	AS 100 081880	AS 111 081880	AS A14 081880	AS 211 081880	AS 426 081880	AS 521 081880	AS A16 081880	
		400	1	AS 100 082040	AS 111 082040	AS A14 082040	AS 211 082040	AS 426 082040	AS 521 082040	AS A16 082040	
		500	1	AS 100 082050	AS 111 082050	AS A14 082050	AS 211 082050	AS 426 082050	AS 521 082050	AS A16 082050	
	2000	600	1	AS 100 082060	AS 111 082060	AS A14 082060	AS 211 082060	AS 426 082060	AS 521 082060	AS A16 082060	
		800	1	AS 100 082080	AS 111 082080	AS A14 082080	AS 211 082080	AS 426 082080	AS 521 082080	AS A16 082080	
1000		1800	500	2	AS 100 101850	AS 111 101850	AS A14 101850	-- --	AS 426 101850	-- --	AS A16 101850
	600		2	AS 100 101860	AS 111 101860	AS A14 101860	-- --	AS 426 101860	-- --	AS A16 101860	
	2000	500	2	AS 100 102050	AS 111 102050	AS A14 102050	-- --	AS 426 102050	-- --	AS A16 102050	
		600	2	AS 100 102060	AS 111 102060	AS A14 102060	-- --	AS 426 102060	-- --	AS A16 102060	
1200	1800	800	2	AS 100 102080	AS 111 102080	AS A14 102080	-- --	AS 426 102080	-- --	AS A16 102080	
		500	2	AS 100 121850	AS 111 121850	AS A14 121850	-- --	AS 426 121850	-- --	AS A16 121850	
	2000	600	2	AS 100 121860	AS 111 121860	AS A14 121860	-- --	AS 426 121860	-- --	AS A16 121860	
		400	2	AS 100 122040	AS 111 122040	AS A14 122040	-- --	AS 426 122040	-- --	AS A16 122040	
2000	500	2	AS 100 122050	AS 111 122050	AS A14 122050	-- --	AS 426 122050	-- --	AS A16 122050		
	600	2	AS 100 122060	AS 111 122060	AS A14 122060	-- --	AS 426 122060	-- --	AS A16 122060		
	800	2	AS 100 122080	AS 111 122080	AS A14 122080	-- --	AS 426 122080	-- --	AS A16 122080		

FLOOR STANDING ENCLOSURES

FLOOR STANDING ENCLOSURES



Width A mm	Height B mm	Reference	Solid Door	Useful Area		Glazed Door	Apparent Area		Mounting Plate	Dimensions	
				↔ mm	↕ mm		↔ mm	↕ mm		↔ mm	↕ mm
400	1800	AS xxx 0418**	AS KP0418	220	1620	AS KPX0418	197	1597	AS TS0418	302	1702
	2000	AS xxx 0420**	AS KP0420	220	1820	AS KPX0420	197	1797	AS TS0420	302	1902
600	600	AS xxx 0606**	AS KP0606	420	420	AS KPX0606	397	397	AS TS0606	502	502
	900	AS xxx 0609**	AS KP0609	420	720	AS KPX0609	397	697	AS TS0609	502	802
	1200	AS xxx 0612**	AS KP0612	420	1020	AS KPX0612	397	997	AS TS0612	502	1102
	1500	AS xxx 0615**	AS KP0615	420	1320	AS KPX0615	397	1297	AS TS0615	502	1402
	1800	AS xxx 0618**	AS KP0618	420	1620	AS KPX0618	397	1597	AS TS0618	502	1702
800	2000	AS xxx 0620**	AS KP0620	420	1820	AS KPX0620	397	1797	AS TS0620	502	1902
	600	AS xxx 0806**	AS KP0806	620	420	AS KPX0806	597	397	AS TS0806	702	502
	900	AS xxx 0809**	AS KP0809	620	720	AS KPX0809	597	697	AS TS0809	702	802
	1200	AS xxx 0812**	AS KP0812	620	1020	AS KPX0812	597	997	AS TS0812	702	1102
	1500	AS xxx 0815**	AS KP0815	620	1320	AS KPX0815	597	1297	AS TS0815	702	1402
1000	1800	AS xxx 0818**	AS KP0818	620	1620	AS KPX0818	597	1597	AS TS0818	702	1702
	2000	AS xxx 0820**	AS KP0820	620	1820	AS KPX0820	597	1797	AS TS0820	702	1902
	1800	AS xxx 1018**	AS KP1018	320 + 320	1620	---	---	---	AS TS1018	902	1702
1200	2000	AS xxx 1020**	AS KP1020	320 + 320	1820	---	---	---	AS TS1020	902	1902
	1800	AS xxx 1218**	AS KP1218	420 + 420	1620	---	---	---	AS TS1218	1102	1702
	2000	AS xxx 1220**	AS KP1220	420 + 420	1820	---	---	---	AS TS1220	1102	1902

Height B mm	Depth C mm	Reference	Side Panel	Useful Area		
				D3 mm	H31 mm	H32 mm
600	400	AS xxx **0640	AS YS0640	194	340	-
	500	AS xxx **0650	AS YS0650	294	340	-
	600	AS xxx **0660	AS YS0660	394	340	-
900	400	AS xxx **0940	AS YS0940	194	640	-
	500	AS xxx **0950	AS YS0950	294	640	-
	600	AS xxx **0960	AS YS0960	394	640	-
1200	400	AS xxx **1240	AS YS1240	194	940	-
	500	AS xxx **1250	AS YS1250	294	940	-
	600	AS xxx **1260	AS YS1260	394	940	-
1500	400	AS xxx **1540	AS YS1540	194	580	580
	500	AS xxx **1550	AS YS1550	294	580	580
	600	AS xxx **1560	AS YS1560	394	580	580
1800	400	AS xxx **1840	AS YS1840	194	720	740
	500	AS xxx **1850	AS YS1850	294	720	740
	600	AS xxx **1860	AS YS1860	394	720	740
2000	800	AS xxx **1880	AS YS1880	594	720	740
	400	AS xxx **2040	AS YS2040	194	840	820
	500	AS xxx **2050	AS YS2050	294	840	820
	600	AS xxx **2060	AS YS2060	394	840	820
	800	AS xxx **2080	AS YS2080	594	840	820

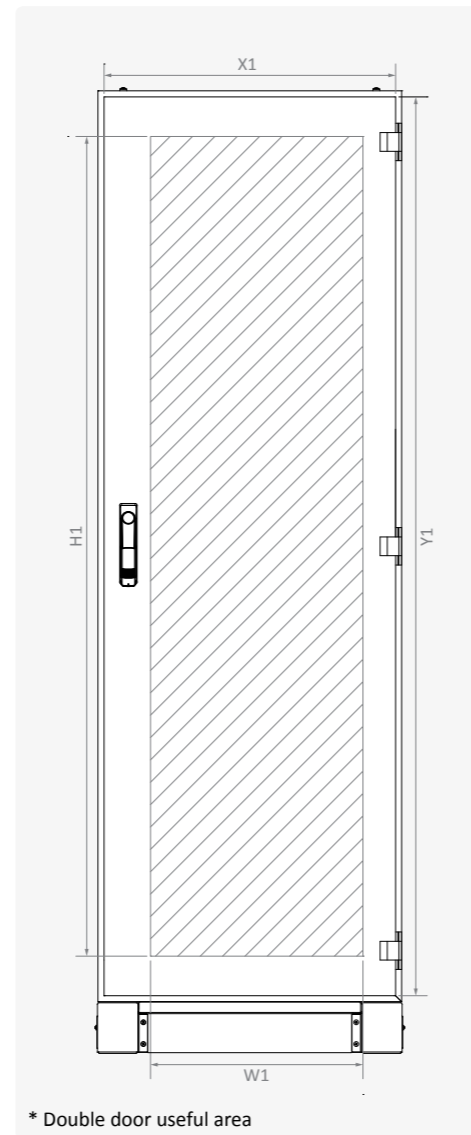
Width A mm	Depth C mm	Reference	Top Cover	Useful Area		Bottom Cover Plate	Dimensions	
				↔ mm	↗ mm		↔ mm	↗ mm
400	400	AS xxx 04**40	AS TAV04040	350	194	AS BS0440	394	340
	500	AS xxx 04**50	AS TAV04050	350	294	AS BS0450	394	440
	600	AS xxx 04**60	AS TAV04060	350	394	AS BS0460	394	540
	800	AS xxx 04**80	AS TAV04080	350	594	AS BS0480	394	740
600	400	AS xxx 06**40	AS TAV06040	550	194	AS BS0640	594	340
	500	AS xxx 06**50	AS TAV06050	550	294	AS BS0650	594	440
	600	AS xxx 06**60	AS TAV06060	550	394	AS BS0660	594	540
	800	AS xxx 06**80	AS TAV06080	550	594	AS BS0680	594	740
800	400	AS xxx 08**40	AS TAV08040	750	194	AS BS0840	794	340
	500	AS xxx 08**50	AS TAV08050	750	294	AS BS0850	794	440
	600	AS xxx 08**60	AS TAV08060	750	394	AS BS0860	794	540
	800	AS xxx 08**80	AS TAV08080	750	594	AS BS0880	794	740
1000	400	AS xxx 10**40	AS TAV10040	950	194	AS BS1040	994	340
	500	AS xxx 10**50	AS TAV10050	950	294	AS BS1050	994	440
	600	AS xxx 10**60	AS TAV10060	950	394	AS BS1060	994	540
	800	AS xxx 10**80	AS TAV10080	950	594	AS BS1080	994	740
1200	400	AS xxx 12**40	AS TAV12040	1150	194	AS BS1240	1194	340
	500	AS xxx 12**50	AS TAV12050	1150	294	AS BS1250	1194	440
	600	AS xxx 12**60	AS TAV12060	1150	394	AS BS1260	1194	540
	800	AS xxx 12**80	AS TAV12080	1150	594	AS BS1280	1194	740

SOLID DOOR

Reference	Width		Height		Wide		Length		Useful Area				Door pcs	Lock Type *	Hinge pcs	Weight kg
	A mm	B mm	X1 mm	Y1 mm	W1 mm	W11* mm	W12* mm	H1 mm								
AS KP 0418	400	1800	376	1776	220	-	-	1620	1	I	3	16.7				
AS KP 0420	400	2000	376	1976	220	-	-	1820	1	I	3	18.4				
AS KP 0606	600	600	576	576	420	-	-	420	1	I	2	8.2				
AS KP 0609	600	900	576	876	420	-	-	720	1	I	2	20.0				
AS KP 0612	600	1200	576	1176	420	-	-	1020	1	I	2	15.5				
AS KP 0615	600	1500	576	1476	420	-	-	1320	1	I	3	19.0				
AS KP 0618	600	1800	576	1776	420	-	-	1620	1	I	3	22.8				
AS KP 0620	600	2000	576	1976	420	-	-	1820	1	I	3	25.0				
AS KP 0806	800	600	776	576	620	-	-	420	1	I	2	10.8				
AS KP 0809	800	900	776	876	620	-	-	720	1	I	2	14.8				
AS KP 0812	800	1200	776	1176	620	-	-	1020	1	I	2	19.3				
AS KP 0815	800	1500	776	1476	620	-	-	1320	1	I	3	24.1				
AS KP 0818	800	1800	776	1776	620	-	-	1620	1	I	3	28.5				
AS KP 0820	800	2000	776	1976	620	-	-	1820	1	I	3	31.4				
AS KP 1018	1000	1800	976	1776	-	320	320	1620	2	I	3+3	37.0				
AS KP 1020	1000	2000	976	1976	-	320	320	1820	2	I	3+3	40.0				
AS KP 1218	1200	1800	1176	1776	-	420	420	1620	2	I	3+3	41.6				
AS KP 1220	1200	2000	1176	1976	-	420	420	1820	2	I	3+3	46.2				

Characteristics	
Material	DIN EN 10130 DC01 CCRS
Surface Finishing	RAL7035w powder coating
Thickness	2 mm

Supply Includes	
Lock	
Hinges	
* I: Escutcheon Rod-latch	

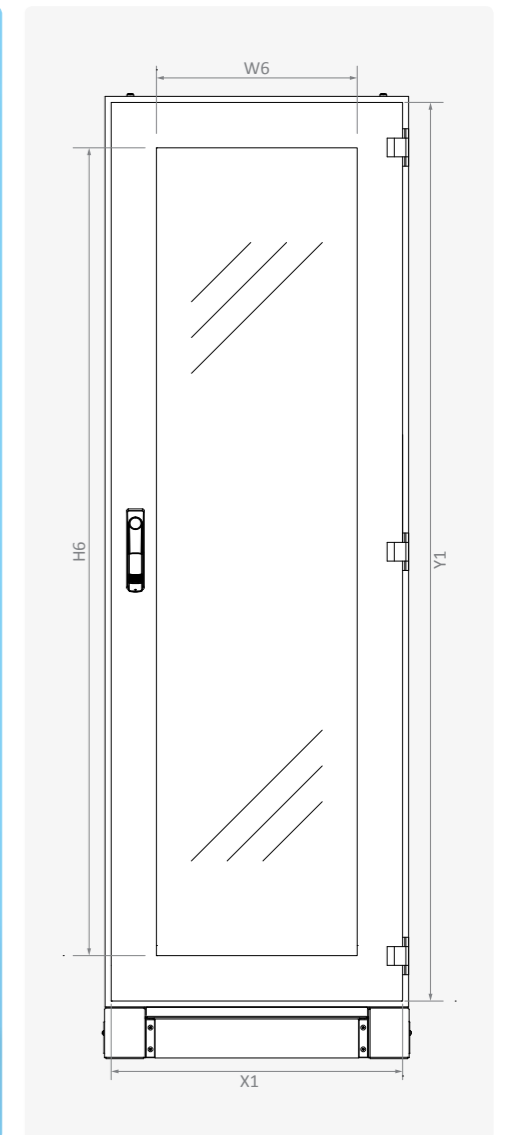


GLAZED DOOR

Reference	Width		Height		Wide		Length		Apparent Area		Door pcs	Lock Type *	Hinge pcs	Weight kg
	A mm	B mm	X1 mm	Y1 mm	W6 mm	H6 mm								
AS KPX 0418	400	1800	376	1776	197	1597	1	I	3	13.0				
AS KPX 0420	400	2000	376	1976	197	1797	1	I	3	14.3				
AS KPX 0606	600	600	576	576	397	397	1	I	2	6.2				
AS KPX 0609	600	900	576	876	397	697	1	I	2	9.0				
AS KPX 0612	600	1200	576	1176	397	997	1	I	2	11.7				
AS KPX 0615	600	1500	576	1476	397	1297	1	I	3	14.3				
AS KPX 0618	600	1800	576	1776	397	1597	1	I	3	17.0				
AS KPX 0620	600	2000	576	1976	397	1797	1	I	3	18.5				
AS KPX 0806	800	600	776	576	597	397	1	I	2	8.0				
AS KPX 0809	800	900	776	876	597	697	1	I	2	11.2				
AS KPX 0812	800	1200	776	1176	597	997	1	I	2	14.6				
AS KPX 0815	800	1500	776	1476	597	1297	1	I	3	17.7				
AS KPX 0818	800	1800	776	1776	597	1597	1	I	3	20.8				
AS KPX 0820	800	2000	776	1976	597	1797	1	I	3	23.0				

Characteristics	
Material	DIN EN 10130 DC01 CCRS / 4 mm tempered glass
Surface Finishing	RAL7035w powder coating
Thickness	2 mm

Supply Includes	
Lock	
Hinges	
* I: Escutcheon Rod-latch	

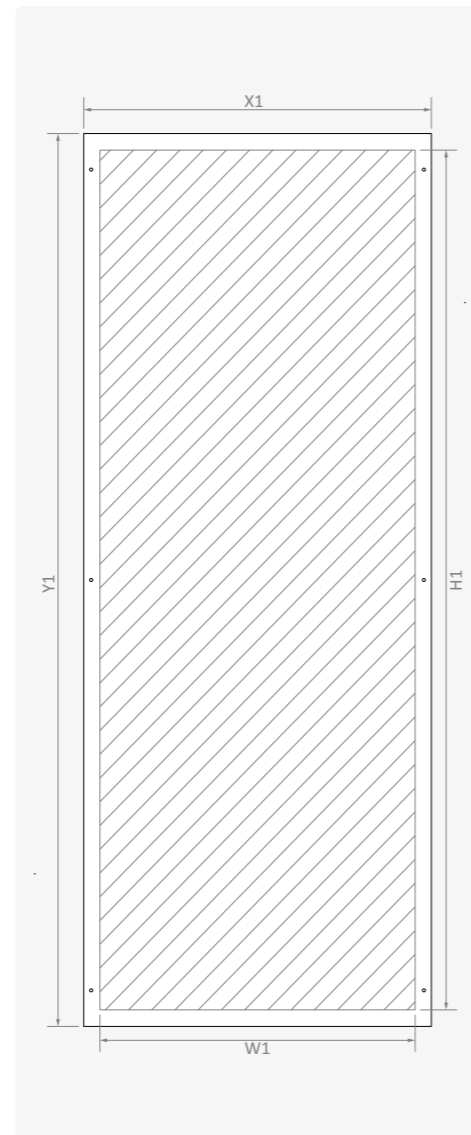


REAR PANEL

Reference	Width		Height		Wide		Length		Useful Area		Weight kg
	A mm	B mm	X1 mm	Y1 mm	W1 mm	H1 mm	W1 mm	H1 mm			
AS ST 0418	400	1800	394	1794	310	1710	310	1710	9.5		
AS ST 0420	400	2000	394	1994	310	1910	310	1910	10.6		
AS ST 0606	600	600	594	594	510	510	510	510	5.1		
AS ST 0609	600	900	594	894	510	810	510	810	7.1		
AS ST 0612	600	1200	594	1194	510	1110	510	1110	9.4		
AS ST 0615	600	1500	594	1494	510	1410	510	1410	11.5		
AS ST 0618	600	1800	594	1794	510	1710	510	1710	13.8		
AS ST 0620	600	2000	594	1994	510	1910	510	1910	15.4		
AS ST 0806	800	600	794	594	710	510	710	510	6.4		
AS ST 0809	800	900	794	894	710	810	710	810	7.4		
AS ST 0812	800	1200	794	1194	710	1110	710	1110	12.3		
AS ST 0815	800	1500	794	1494	710	1410	710	1410	15.4		
AS ST 0818	800	1800	794	1794	710	1710	710	1710	18.2		
AS ST 0820	800	2000	794	1994	710	1910	710	1910	20.3		
AS ST 1018	1000	1800	994	1794	910	1710	910	1710	22.6		
AS ST 1020	1000	2000	994	1994	910	1910	910	1910	24.9		
AS ST 1218	1200	1800	1194	1794	1110	1710	1110	1710	27.0		
AS ST 1220	1200	2000	1194	1994	1110	1910	1110	1910	30.0		

Characteristics	
Material	DIN EN 10130 DC01 CCRS
Surface Finishing	RAL7035w powder coating
Thickness	1.5 mm

Supply Includes	
Rear panel fasteners	

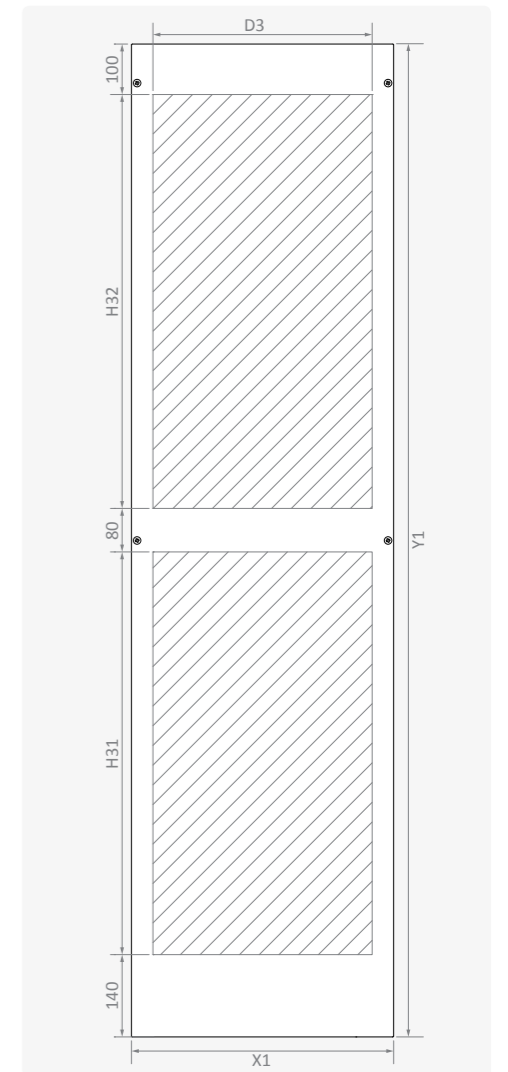


SIDE PANEL

Reference	Height		Depth		Wide		Length		Useful Area			Weight kg
	B mm	C mm	X1 mm	Y1 mm	D3 mm	H31 mm	H32 mm	D3 mm	H31 mm	H32 mm		
AS YS 0640	600	400	270	580	194	340	-	194	340	-	2.2	
AS YS 0650	600	500	370	580	294	340	-	294	340	-	2.9	
AS YS 0660	600	600	470	580	394	340	-	394	340	-	3.8	
AS YS 0940	900	400	270	880	194	640	-	194	640	-	3.3	
AS YS 0950	900	500	370	880	294	640	-	294	640	-	4.4	
AS YS 0960	900	600	470	880	394	640	-	394	640	-	5.5	
AS YS 1240	1200	400	270	1180	194	940	-	194	940	-	4.7	
AS YS 1250	1200	500	370	1180	294	940	-	294	940	-	5.8	
AS YS 1260	1200	600	470	1180	394	940	-	394	940	-	7.5	
AS YS 1540	1500	400	270	1480	194	580	580	194	580	580	5.4	
AS YS 1550	1500	500	370	1480	294	580	580	294	580	580	7.3	
AS YS 1560	1500	600	470	1480	394	580	580	394	580	580	9.1	
AS YS 1840	1800	400	270	1780	194	720	740	194	720	740	6.5	
AS YS 1850	1800	500	370	1780	294	720	740	294	720	740	8.7	
AS YS 1860	1800	600	470	1780	394	720	740	394	720	740	10.8	
AS YS 1880	1800	800	670	1780	594	720	740	594	720	740	15.4	
AS YS 2040	2000	400	270	1980	194	840	820	194	840	820	7.5	
AS YS 2050	2000	500	370	1980	294	840	820	294	840	820	9.6	
AS YS 2060	2000	600	470	1980	394	840	820	394	840	820	12.0	
AS YS 2080	2000	800	670	1980	594	840	820	594	840	820	16.9	

Characteristics	
Material	DIN EN 10130 DC01 CCRS
Surface Finishing	RAL7035w powder coating
Thickness	1.5 mm

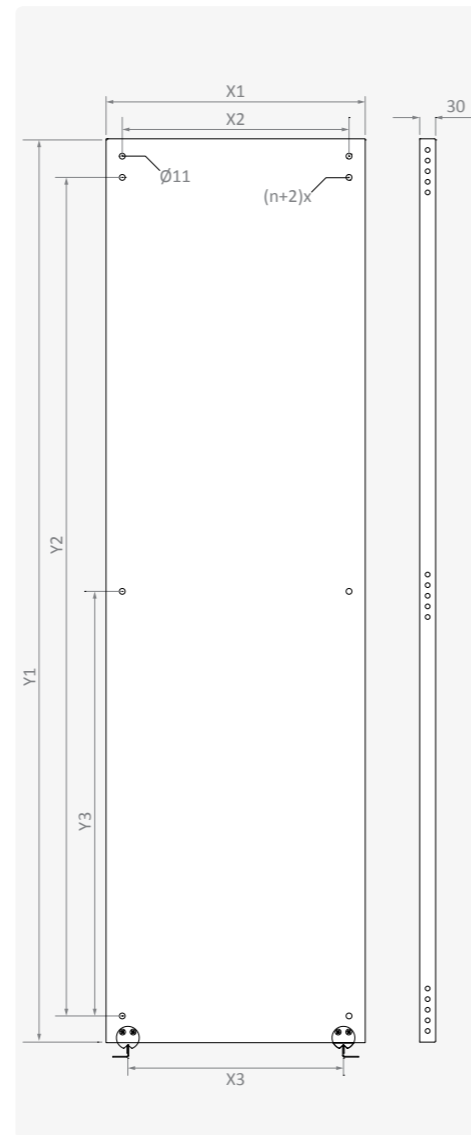
Supply Includes	
Side / Top panel mounting screw set	



MOUNTING PLATE

Reference	Width		Wide	Length	Connection				Connection	Weight
	A	B			X2	Y2	X3	Y3		
	mm	mm	mm	mm	mm	mm	mm	mm	pcs	kg
AS TS 0418	400	1800	302	1702	241	1580	220	800	6	10.4
AS TS 0420	400	2000	302	1902	241	1780	220	900	6	11.6
AS TS 0606	600	600	502	502	441	380	420	-	4	5.0
AS TS 0609	600	900	502	802	441	680	420	-	4	7.8
AS TS 0612	600	1200	502	1102	441	980	420	500	4	10.5
AS TS 0615	600	1500	502	1402	441	1280	420	650	6	13.3
AS TS 0618	600	1800	502	1702	441	1580	420	800	6	16.0
AS TS 0620	600	2000	502	1902	441	1780	420	900	6	17.8
AS TS 0806	800	600	702	502	641	380	620	-	4	6.8
AS TS 0809	800	900	702	802	641	680	620	-	4	10.5
AS TS 0812	800	1200	702	1102	641	980	620	500	4	14.2
AS TS 0815	800	1500	702	1402	641	1280	620	650	6	17.9
AS TS 0818	800	1800	702	1702	641	1580	620	800	6	21.6
AS TS 0820	800	2000	702	1902	641	1780	620	900	6	24.2
AS TS 1018	1000	1800	902	1702	841	1580	820	800	6	27.2
AS TS 1020	1000	2000	902	1902	841	1780	820	900	6	30.3
AS TS 1218	1200	1800	1102	1702	1041	1580	1020	800	6	32.8
AS TS 1220	1200	2000	1102	1902	1041	1780	1020	900	6	36.6

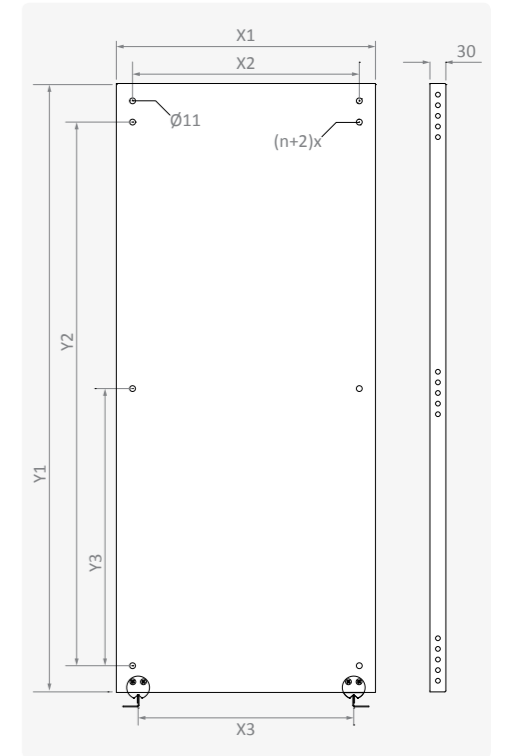
Characteristics		Supply Includes	
Material	DIN EN 10327 DX51D+Z galvanized	Mounting screws	
Thickness	2 mm	Carriage slide support and fasteners	



SHORT MOUNTING PLATE

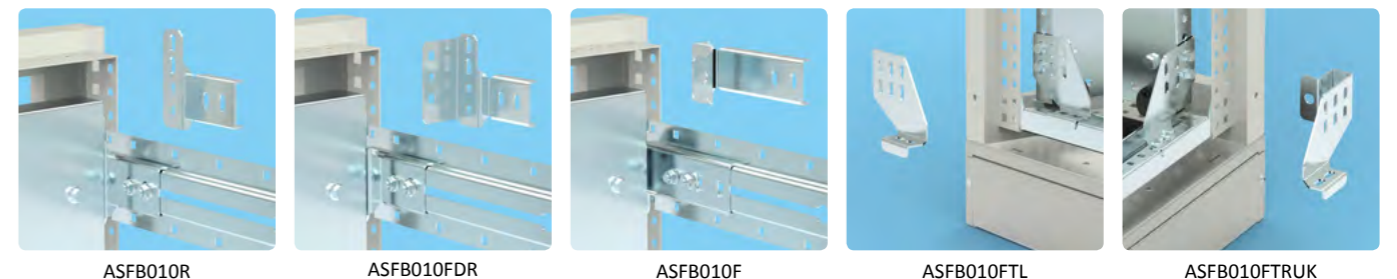
Reference	Width		Wide	Length	Connection				Connection	Weight
	A	X1			Y1	X2	Y2	X3		
	mm	mm	mm	mm	mm	mm	mm	mm	pcs	kg
AS TS 0416	400	302	1502	241	1380	220	700	6	6	9.1
AS TS 0616	600	502	1502	541	1380	420	700	6	6	15.2
AS TS 0816	800	702	1502	641	1380	620	700	6	6	21.3
AS TS 1016	1000	902	1502	841	1380	820	700	6	6	28.3
AS TS 1216	1200	1102	1502	1041	1380	1020	700	6	6	33.4

Characteristics		Supply Includes	
Material	DIN EN 10327 DX51D+Z galvanized	Mounting screws	
Thickness	2 mm	Carriage slide support and fasteners	



MOUNTING PLATE FIXING BRACKETS

Reference	Type	Connection	Weight	Characteristics	
			kg	Material	Thickness
AS FB 010 L	Side Connection	Left	0.1	DIN EN 10327 DX51D+Z galvanized	
AS FB 010 R	Side Connection	Right	0.1	2 mm	
AS FB 010 FD L	Front Connection	Left	0.2	Supply Includes	
AS FB 010 FD R	Front Connection	Right	0.2	Side rail mounting fasteners	
AS FB 010 F	Front Connection	Right/Left	0.2		
AS FB 010 FT R	Side Connection	Right	0.2		
AS FB 010 FT L	Side Connection	Left	0.2		
AS FB 010 FTR UK	Front Connection	Right	0.2		
AS FB 010 FTL UK	Front Connection	Left	0.2		



ASFB010R

ASFB010FDR

ASFB010F

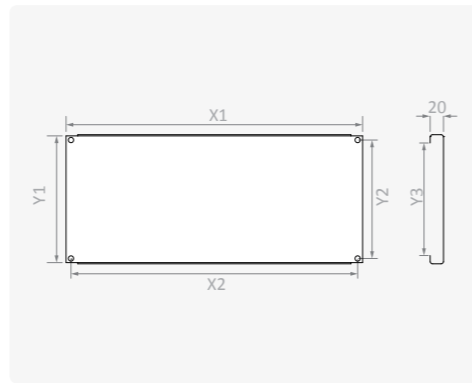
ASFB010FTL

ASFB010FTRUK

PARTIAL MOUNTING PLATE

Reference	Width		Length		Connection		Weight kg
	A mm	X1 mm	Y1 mm	Y3 mm	X2 mm	Y2 mm	
AS TSK 0416	400	312	160	130	295	140	1.0
AS TSK 0422	400	312	220	190	295	200	1.3
AS TSK 0428	400	312	280	250	295	260	1.6
AS TSK 0436	400	312	360	330	295	340	2.0
AS TSK 0616	600	512	160	130	495	140	1.7
AS TSK 0622	600	512	220	190	495	200	2.2
AS TSK 0628	600	512	280	250	495	260	2.7
AS TSK 0636	600	512	360	330	495	340	3.3
AS TSK 0816	800	712	160	130	695	140	2.4
AS TSK 0822	800	712	220	190	695	200	3.1
AS TSK 0828	800	712	280	250	695	260	3.8
AS TSK 0836	800	712	360	330	695	340	4.7
AS TSK 1016	1000	912	160	130	895	140	3.1
AS TSK 1022	1000	912	220	190	895	200	4.0
AS TSK 1028	1000	912	280	250	895	260	4.8
AS TSK 1036	1000	912	360	330	895	340	6.0
AS TSK 1216	1200	1112	160	130	1095	140	3.8
AS TSK 1222	1200	1112	220	190	1095	200	4.8
AS TSK 1228	1200	1112	280	250	1095	260	5.9
AS TSK 1236	1200	1112	360	330	1095	340	7.3

Characteristics		Supply Includes	
Material	DIN EN 10327 DX51D+Z galvanized	Mounting screws	
Thickness	2 mm		



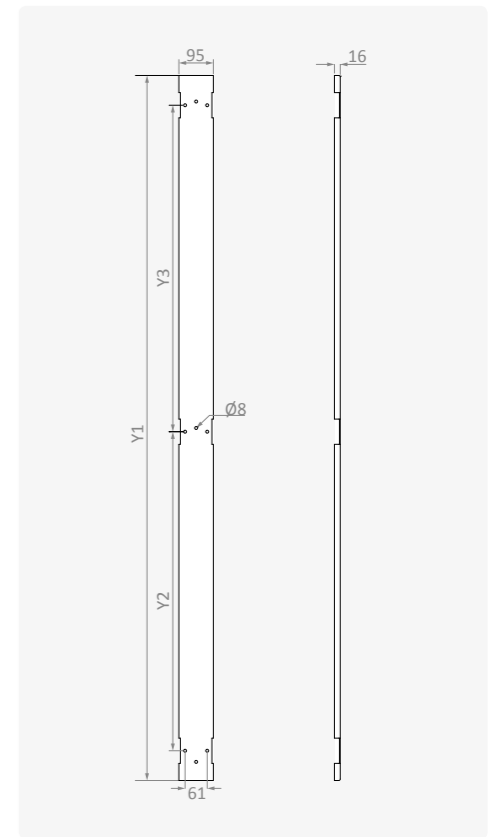
INFILL MOUNTING PLATE

Reference	Height	Length	Connection		Weight kg
	B mm	Y1 mm	Y2 mm	Y3 mm	
AS TSB 150	1500	1400	620	620	2.7
AS TSB 180	1800	1700	780	760	4.0
AS TSB 200	2000	1900	860	880	4.8

Characteristics	
Material	DIN EN 10327 DX51D+Z galvanized
Thickness	2 mm

Supply Includes

- Mounting screws



PARTIAL MOUNTING PLATE FIXING BRACKETS

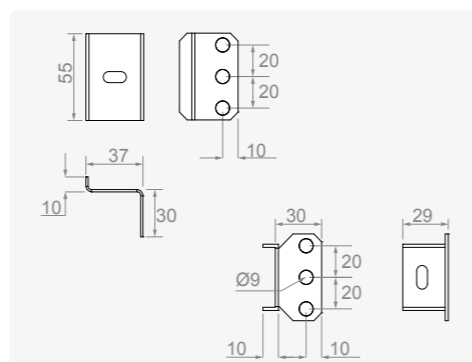
Reference	Connection	Weight	Characteristics	
		kg	Material	DIN EN 10327 DX51D+Z galvanized
AS FB 020	Vertical	0.05	Thickness	2 mm
AS FB 030	Horizontal	0.05	Supply Includes	
			Side rail mounting fasteners	



AS FB 020

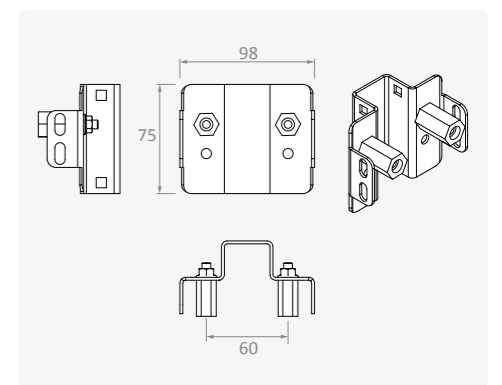


AS FB 030



INFILL BRACKET

Reference	Weight	Characteristics		Supply Includes	
	kg	Material	DIN EN 10327 DX51D+Z galvanized	Mounting screws	
AS FB 040	0.2	Thickness	2 mm	Standoff for infill mounting plate connection	

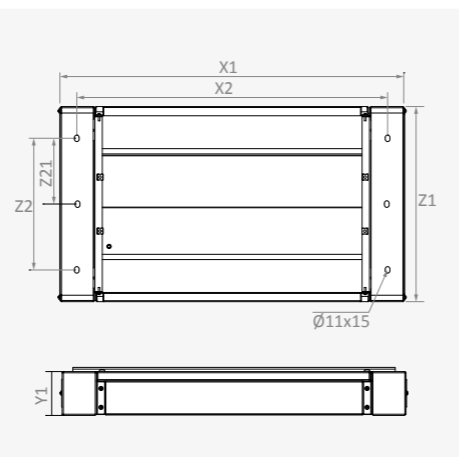


PLINTH

Reference	Width		Depth		Height		Connection			Weight kg
	A mm	C mm	X1 mm	Z1 mm	Y1 mm	X2 mm	Z2 mm	Z21 mm		
AS Bx000404 1	400	400	400	345	100	325	200	100	5.7	
AS Bx000405 1	400	500	400	445	100	325	300	150	7.0	
AS Bx000406 1	400	600	400	545	100	325	400	200	8.4	
AS Bx000408 1	400	800	400	745	100	325	600	300	11.0	
AS Bx000604 1	600	400	600	345	100	525	200	100	8.1	
AS Bx000605 1	600	500	600	445	100	525	300	150	9.4	
AS Bx000606 1	600	600	600	545	100	525	400	200	10.8	
AS Bx000608 1	600	800	600	745	100	525	600	300	13.4	
AS Bx000804 1	800	400	800	345	100	725	200	100	10.5	
AS Bx000805 1	800	500	800	445	100	725	300	150	11.8	
AS Bx000806 1	800	600	800	545	100	725	400	200	13.1	
AS Bx000808 1	800	800	800	745	100	725	600	300	15.8	
AS Bx001004 1	1000	400	1000	345	100	925	200	100	12.9	
AS Bx001005 1	1000	500	1000	445	100	925	300	150	14.2	
AS Bx001006 1	1000	600	1000	545	100	925	400	200	15.5	
AS Bx001008 1	1000	800	1000	745	100	925	600	300	18.2	
AS Bx001204 1	1200	400	1200	345	100	1125	200	100	15.3	
AS Bx001205 1	1200	500	1200	445	100	1125	300	150	16.6	
AS Bx001206 1	1200	600	1200	545	100	1125	400	200	17.9	
AS Bx001208 1	1200	800	1200	745	100	1125	600	300	20.6	
AS Bx000404 2	400	400	400	345	200	325	200	100	7.4	
AS Bx000405 2	400	500	400	445	200	325	300	150	8.7	
AS Bx000406 2	400	600	400	545	200	325	400	200	10.1	
AS Bx000408 2	400	800	400	745	200	325	600	300	12.7	
AS Bx000604 2	600	400	600	345	200	525	200	100	9.8	
AS Bx000605 2	600	500	600	445	200	525	300	150	11.1	
AS Bx000606 2	600	600	600	545	200	525	400	200	12.5	
AS Bx000608 2	600	800	600	745	200	525	600	300	15.1	
AS Bx000804 2	800	400	800	345	200	725	200	100	12.2	
AS Bx000805 2	800	500	800	445	200	725	300	150	13.5	
AS Bx000806 2	800	600	800	545	200	725	400	200	14.8	
AS Bx000808 2	800	800	800	745	200	725	600	300	17.5	
AS Bx001004 2	1000	400	1000	345	200	925	200	100	14.6	
AS Bx001005 2	1000	500	1000	445	200	925	300	150	15.9	
AS Bx001006 2	1000	600	1000	545	200	925	400	200	17.2	
AS Bx001008 2	1000	800	1000	745	200	925	600	300	19.9	
AS Bx001204 2	1200	400	1200	345	200	1125	200	100	17.0	
AS Bx001205 2	1200	500	1200	445	200	1125	300	150	18.3	
AS Bx001206 2	1200	600	1200	545	200	1125	400	200	19.6	
AS Bx001208 2	1200	800	1200	745	200	1125	600	300	22.3	

Characteristics	
■ Material	DIN EN 10130 DC01 CCRS
■ Surface Finishing	RAL7035w powder coating
■ Thickness	2 mm

Supply Includes	
■ Cover plates and mounting screws	
■ Plinth mounting fasteners	

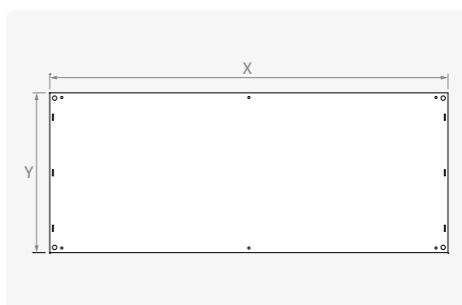


BOTTOM COVER PLATE

Reference	Width		Depth		Length		Weight kg
	A mm	C mm	X mm	Y mm			
AS BS 0440	400	400	395	340	2.2		
AS BS 0450	400	500	395	440	2.8		
AS BS 0460	400	600	395	540	3.5		
AS BS 0480	400	800	395	740	4.7		
AS BS 0640	600	400	595	340	3.3		
AS BS 0650	600	500	595	440	4.3		
AS BS 0660	600	600	595	540	5.2		
AS BS 0680	600	800	595	740	7.1		
AS BS 0840	800	400	795	340	4.4		
AS BS 0850	800	500	795	440	5.7		
AS BS 0860	800	600	795	540	6.9		
AS BS 0880	800	800	795	740	9.4		
AS BS 1040	1000	400	995	340	5.5		
AS BS 1050	1000	500	995	440	7.1		
AS BS 1060	1000	600	995	540	8.6		
AS BS 1080	1000	800	995	740	11.8		
AS BS 1240	1200	400	1195	340	6.6		
AS BS 1250	1200	500	1195	440	8.5		
AS BS 1260	1200	600	1195	540	10.4		
AS BS 1280	1200	800	1195	740	14.2		

Characteristics	
■ Material	DIN EN 10130 DC01 CCRS
■ Surface Finishing	RAL7035w powder coating
■ Thickness	2 mm

Supply Includes	
■ Bottom cover plates fasteners	

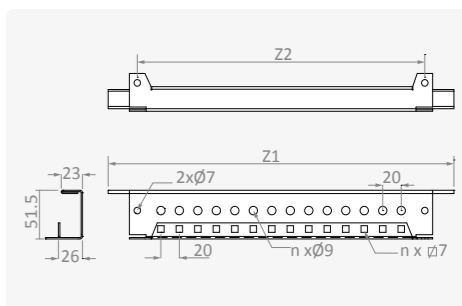


CARRIAGE DEPTH SLIDE

Reference	Depth		Length		Connection		Weight kg
	C mm	Z1 mm	Z2 mm	n pcs			
AS SRK 040	400	274	211	9	0.3		
AS SRK 050	500	374	311	14	0.5		
AS SRK 060	600	474	411	19	0.6		
AS SRK 080	800	674	611	29	0.9		

Characteristics	
■ Material	DIN EN 10327 DX51D+Z galvanized
■ Thickness	1.5 mm

Supply Includes	
■ Mounting screws	



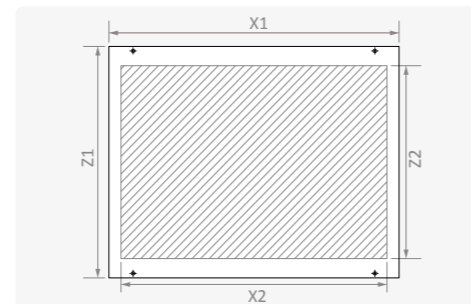


TOP COVER

Reference	Width		Depth		Useful Area		Weight kg
	A mm	C mm	X1 mm	Z1 mm	X2 mm	Z2 mm	
AS TAV 040 40	400	400	400	270	350	194	1.7
AS TAV 040 50	400	500	400	370	350	294	2.3
AS TAV 040 60	400	600	400	470	350	394	4.0
AS TAV 040 80	400	800	400	670	350	594	7.4
AS TAV 060 40	600	400	600	270	550	194	2.4
AS TAV 060 50	600	500	600	370	550	294	3.3
AS TAV 060 60	600	600	600	470	550	394	4.0
AS TAV 060 80	600	800	600	670	550	594	5.7
AS TAV 080 40	800	400	800	270	750	194	3.2
AS TAV 080 50	800	500	800	370	750	294	4.2
AS TAV 080 60	800	600	800	470	750	394	5.3
AS TAV 080 80	800	800	800	670	750	594	7.4
AS TAV 100 40	1000	400	1000	270	950	194	3.9
AS TAV 100 50	1000	500	1000	370	950	294	5.1
AS TAV 100 60	1000	600	1000	470	950	394	6.4
AS TAV 100 80	1000	800	1000	670	950	594	9.1
AS TAV 120 40	1200	400	1200	270	1150	194	4.6
AS TAV 120 50	1200	500	1200	370	1150	294	6.1
AS TAV 120 60	1200	600	1200	470	1150	394	7.6
AS TAV 120 80	1200	800	1200	670	1150	594	10.7

Characteristics	
Material	DIN EN 10130 DC01 CCRS
Surface Finishing	RAL7035w powder coating
Thickness	1.5 mm

Supply Includes	
Side / Top panel mounting screw set	

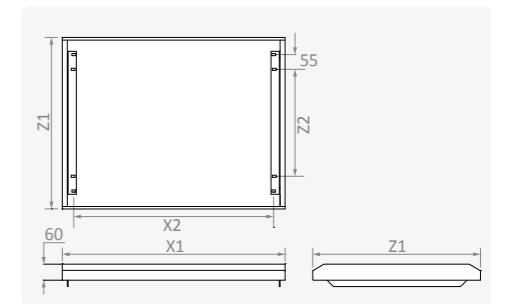


RAIN CANOPY

Reference	Width		Depth		Connection		Weight kg
	A mm	C mm	X1 mm	Z1 mm	X2 mm	Z2 mm	
AS SP 04 40	400	400	450	440	363	199	3.0
AS SP 04 50	400	500	450	540	363	299	3.9
AS SP 04 60	400	600	450	640	363	399	4.8
AS SP 04 80	400	800	450	840	363	599	6.5
AS SP 06 40	600	400	650	440	563	199	4.4
AS SP 06 50	600	500	650	540	563	299	5.3
AS SP 06 60	600	600	650	640	563	399	6.1
AS SP 06 80	600	800	650	840	563	599	7.9
AS SP 08 40	800	400	850	440	763	199	5.8
AS SP 08 50	800	500	850	540	763	299	6.7
AS SP 08 60	800	600	850	640	763	399	7.5
AS SP 08 80	800	800	850	840	763	599	9.3
AS SP 10 40	1000	400	1050	440	963	199	7.2
AS SP 10 50	1000	500	1050	540	963	299	8.0
AS SP 10 60	1000	600	1050	640	963	399	8.9
AS SP 10 80	1000	800	1050	840	963	599	10.6
AS SP 12 40	1200	400	1250	440	1163	199	8.5
AS SP 12 50	1200	500	1250	540	1163	299	9.4
AS SP 12 60	1200	600	1250	640	1163	399	10.3
AS SP 12 80	1200	800	1250	840	1163	599	12.0

Characteristics	
Material	DIN EN 10130 DC01 CCRS
Surface Finishing	RAL7035w powder coating
Thickness	1.2 mm

Supply Includes	
Mounting screws	

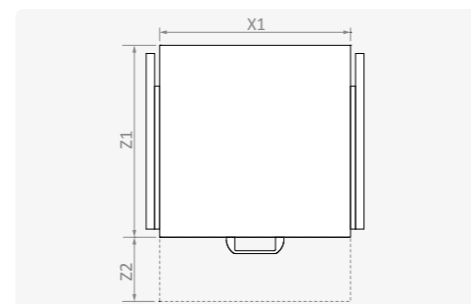


PULL OUT SHELVES

Reference	Width		Depth		Length		Extension Z2 mm	Loading Capacity kg	Weight kg
	A mm	C mm	X1 mm	Z1 mm	X2 mm	Z2 mm			
AS RPT 0640	600	400	490	235	200	30	30	2.0	
AS RPT 0650	600	500	490	335	300	30	30	2.6	
AS RPT 0660	600	600	490	435	400	30	30	3.2	
AS RPT 0680	600	800	490	635	600	30	30	4.5	
AS RPT 0840	800	400	690	235	200	30	30	2.6	
AS RPT 0850	800	500	690	335	300	30	30	3.5	
AS RPT 0860	800	600	690	435	400	30	30	4.4	
AS RPT 0880	800	800	690	635	600	30	30	6.2	

Characteristics	
Material	DIN EN 10130 DC01 CCRS
Surface Finishing	RAL7035w powder coating
Thickness	1.5 mm

Supply Includes	
Shelf	
Pull out side rails	
Connection profiles and mounting fasteners	

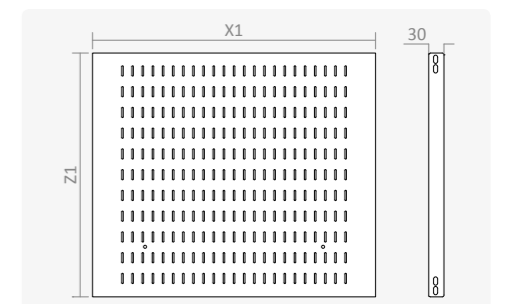


ADJUSTABLE SHELVES

Reference	Width		Depth		Length		Weight kg
	A mm	C mm	X1 mm	Z1 mm	X2 mm	Z2 mm	
AS RPA 0640	600	400	560	270	560	270	2.4
AS RPA 0650	600	500	560	370	560	370	3.1
AS RPA 0660	600	600	560	470	560	470	3.8
AS RPA 0680	600	800	560	670	560	670	5.1
AS RPA 0840	800	400	760	270	760	270	3.1
AS RPA 0850	800	500	760	370	760	370	4.0
AS RPA 0860	800	600	760	470	760	470	4.9
AS RPA 0880	800	800	760	670	760	670	6.6

Characteristics	
Material	DIN EN 10130 DC01 CCRS
Surface Finishing	RAL7035w powder coating
Thickness	1.5 mm

Supply Includes	
Mounting fasteners	

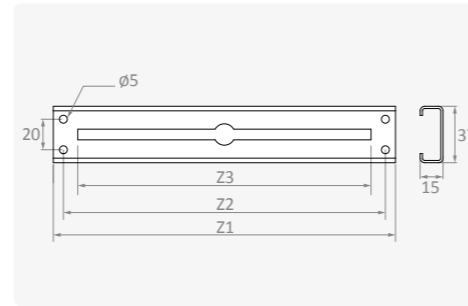
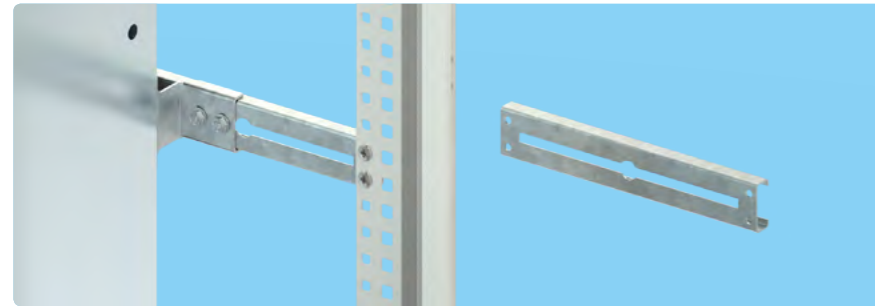


SIDE RAILS

Reference	Depth	Length	Connection		Weight kg
	C mm	Z1 mm	Z2 mm	Z3 mm	
AS SR 040	400	224	211	192	0.2
AS SR 050	500	324	311	292	0.3
AS SR 060	600	424	411	392	0.4
AS SR 080	800	624	611	592	0.6

Characteristics	
Material	DIN EN 10327 DX51D+Z galvanized
Thickness	1.5 mm

Supply Includes	
Mounting screws	

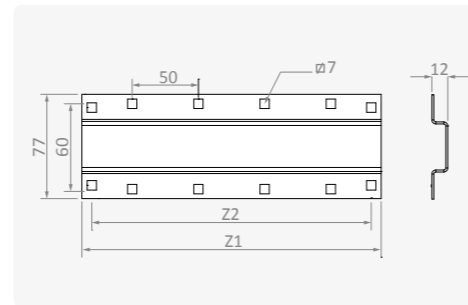


UNSLOTTED SIDE RAILS

Reference	Depth	Length	Connection	Weight kg
	C mm	Z1 mm	Z2 mm	
AS SK 040	400	226	211	0.3
AS SK 050	500	326	311	0.4
AS SK 060	600	426	411	0.5
AS SK 080	800	626	611	0.7

Characteristics	
Material	DIN EN 10327 DX51D+Z galvanized
Thickness	1.5 mm

Supply Includes	
Mounting screws	

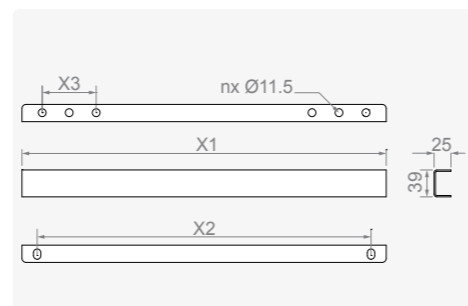


"U" PROFILE

Reference	Width	Length	Connection		Connection	Weight kg
	A mm	X1 mm	X2 mm	X3 mm	n pcs	
AS UP 060	600	540	495	80	6	0.9
AS UP 080	800	740	695	80	6	1.2
AS UP 100	1000	940	895	80	6	1.5
AS UP 120	1200	1140	1095	80	6	1.8

Characteristics	
Material	DIN EN 10327 DX51D+Z galvanized
Thickness	2 mm

Supply Includes	
Mounting screws	

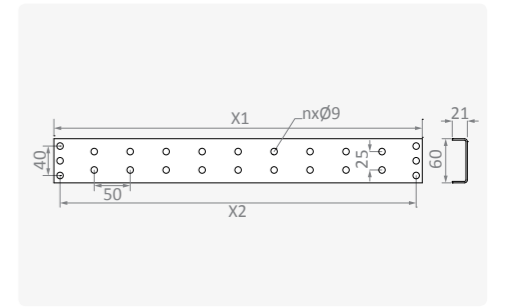


MOUNTING PLATE NH FUSE

Reference	Width	Length	Connection	Connection	Weight kg
	A mm	X1 mm	X2 mm	n pcs	
AS TSK 0406	400	312	295	5	0.5
AS TSK 0606	600	512	495	9	0.7
AS TSK 0806	800	712	695	13	1.0
AS TSK 1006	1000	912	895	17	1.3
AS TSK 1206	1200	1112	1095	21	1.5

Characteristics	
Material	DIN EN 10327 DX51D+Z galvanized
Thickness	2 mm

Supply Includes	
Mounting screws	

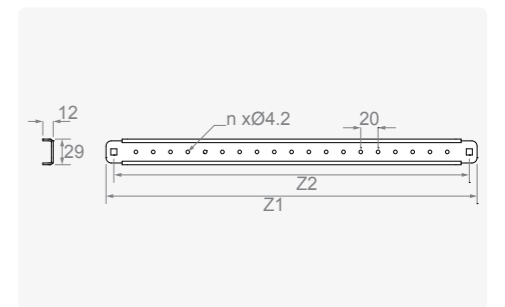
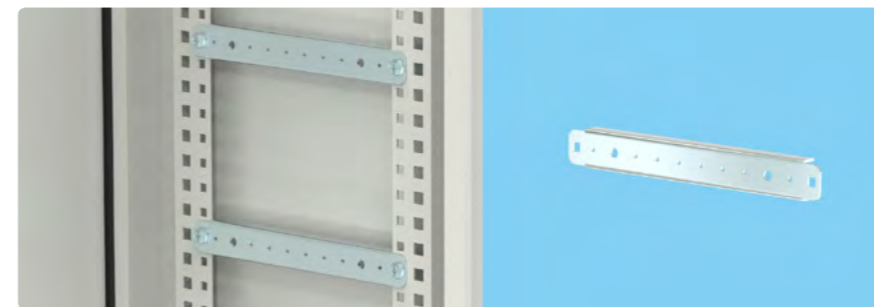


DEPTH MOUNTING PLATE

Reference	Depth	Length	Connection	Connection	Weight kg
	C mm	Z1 mm	Z2 mm	n pcs	
AS DP 040	400	228	211	9	0.3
AS DP 050	500	328	311	14	0.5
AS DP 060	600	428	411	19	0.6
AS DP 080	800	628	611	29	0.9

Characteristics	
Material	DIN EN 10327 DX51D+Z galvanized
Thickness	2 mm

Supply Includes	
Mounting screws	

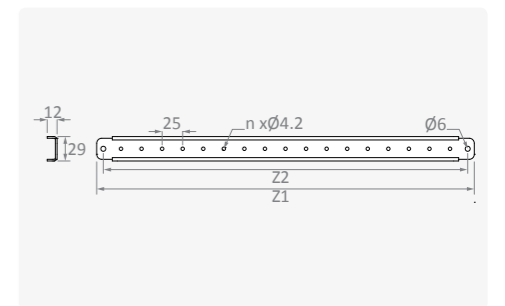


DOOR INSIDE MOUNTING PROFILE

Reference	Width	Length	Connection	Connection	Weight kg
	C mm	Z1 mm	Z2 mm	n pcs	
AS IKP 040	400	259	243	9	0.2
AS IKP 050	500	359	343	13	0.2
AS IKP 060	600	459	443	17	0.3
AS IKP 080	800	659	643	25	0.4

Characteristics	
Material	DIN EN 10327 DX51D+Z galvanized
Thickness	2 mm

Supply Includes	
Mounting screws	

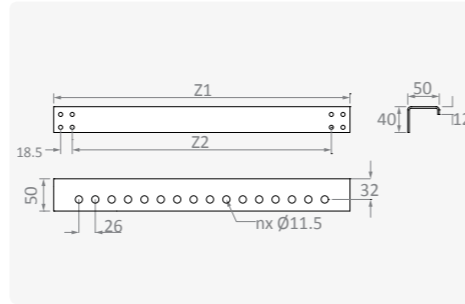


BUSBAR & DEPTH PROFILE

Reference	Depth		Length		Connection		Weight
	C	Z1	Z2	n	mm	pcs	
AS BP 040	400	270	211	8	mm	8	0.4
AS BP 050	500	370	311	12	mm	12	0.6
AS BP 060	600	470	411	16	mm	16	0.8
AS BP 080	800	670	611	24	mm	24	1.2

Characteristics	
Material	DIN EN 10327 DX51D+Z galvanized
Thickness	2 mm

Supply Includes  
 ■ Mounting screws



"L" BRACKETS

Reference	Length			Connection	Weight
	X1	Y1	Z1		
AS L 4230	42	55	30	Z2	0.1
AS R 4230	42	55	30	Z2	0.1
AS L 4250	42	55	50	Z2	0.1
AS R 4250	42	55	50	Z2	0.1
AS L 4290	42	55	90	Z2	0.1
AS R 4290	42	55	90	Z2	0.1

Characteristics	
Material	DIN EN 10327 DX51D+Z galvanized
Thickness	2 mm

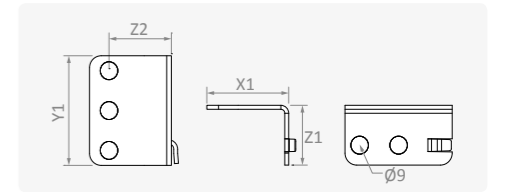
Supply Includes  
 ■ Mounting screws



AS L 42 30 / AS R 42 30

AS L 42 50 / AS R 42 50

AS L 42 90 / AS R 42 90

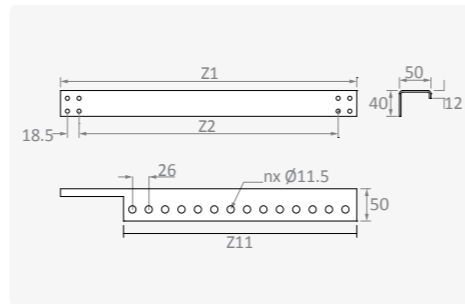


NOTCHED BUSBAR & DEPTH PROFILE

Reference	Width		Length		Connection		Weight
	A	Z1	Z11	Z2	n		
AS BPK 040	400	270	170	211	6	0.3	
AS BPK 050	500	370	270	311	10	0.5	
AS BPK 060	600	470	370	411	14	0.7	
AS BPK 080	800	670	570	611	22	1.1	

Characteristics	
Material	DIN EN 10327 DX51D+Z galvanized
Thickness	2 mm

Supply Includes  
 ■ Mounting screws

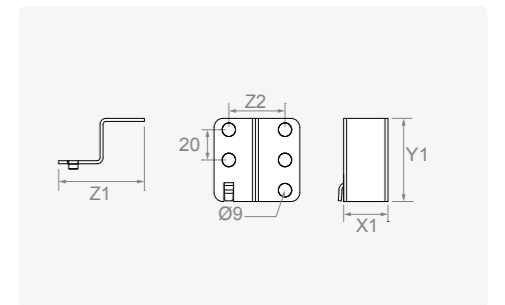


"Z" BRACKETS

Reference	Length			Connection	Weight
	X1	Y1	Z1		
AS FB 300L	30	55	58	Z2	0.1
AS FB 300R	30	55	58	Z2	0.1

Characteristics	
Material	DIN EN 10327 DX51D+Z galvanized
Thickness	2 mm

Supply Includes  
 ■ Mounting screws

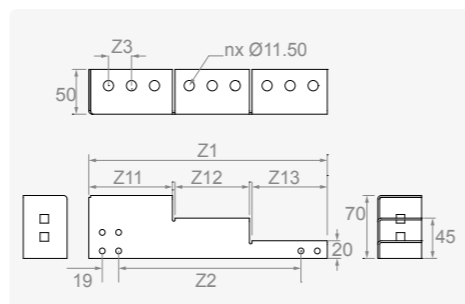


LADDER BUSBAR PROFILES

Reference	Depth		Length					Connection		Weight
	C	Z1	Z11	Z12	Z13	Z2	Z3	n		
AS LB 040	400	270	85	85	92	211	26	3	0.7	
AS LB 050	500	370	120	120	122	311	26	3	0.8	
AS LB 060	600	470	155	155	152	411	26	4	0.9	
AS LB 080	800	670	220	225	217	611	26	7	1.0	

Characteristics	
Material	DIN EN 10327 DX51D+Z galvanized
Thickness	2 mm

Supply Includes  
 ■ Mounting screws

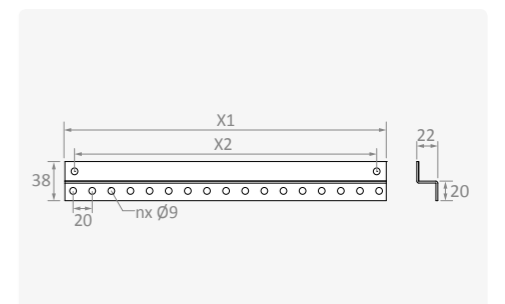


"Z" PROFILE

Reference	Width		Length		Connection		Weight
	A	X1	X2	n			
AS ZP 040	400	312	295	16	mm	pcs	0.1
AS ZP 060	600	512	495	26	mm	pcs	0.1
AS ZP 080	800	712	695	36	mm	pcs	0.1
AS ZP 100	1000	912	895	46	mm	pcs	0.2
AS ZP 120	1200	1112	1095	66	mm	pcs	0.2

Characteristics	
Material	DIN EN 10327 DX51D+Z galvanized
Thickness	2 mm

Supply Includes  
 ■ Mounting screws

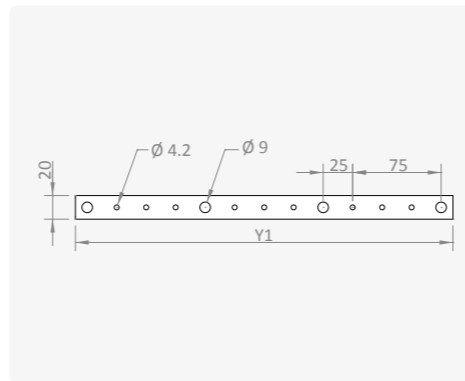


MOUNTING PROFILE INSIDE DOOR

Reference	Condition	Width		Length	Weight kg
		A	B	Y1	
PNASKUY00400	Horizontal	400	-	220	0.1
PNASKUY00500	Horizontal	500	-	320	0.2
PNASKUY00600	Horizontal / Vertical	600	600	420	0.3
PNASKUY00800	Horizontal	800	-	620	0.4
PNASKUD00900	Vertical	-	900	720	0.5
PNASKUY001000	Horizontal	1000	-	820	0.6
PNASKUD01200	Vertical	-	1200	1020	0.7
PNASKUD01500	Vertical	-	1500	1320	0.9
PNASKUD01800	Vertical	-	1800	1620	1.1
PNASKUD02000	Vertical	-	2000	1820	1.2

Characteristics

- Material: 20x20 square profile galvanized
- Thickness: 1.2 mm

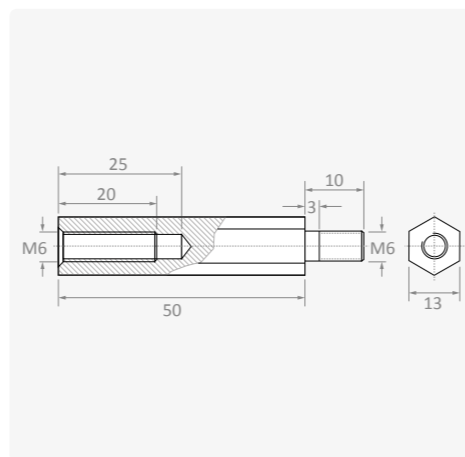
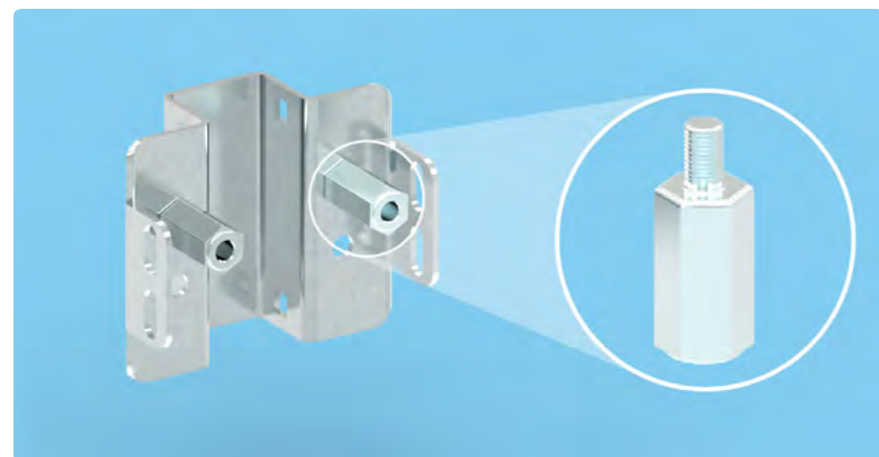


STANDOFF

Reference	External Dimensions		Width Across Flats		Connection	Packet	Weight
	H mm	L mm	L mm	kg/packet			
HD BM 00000196	25	13	M6 / M6	20	0.5		
HD BM 00000200	50						
HD BM 00000240	75						
HD BM 00000210	125						
HD BM 00000220	50	17	M8 / M8	20	1.8		
HD BM 00000230	125					4.7	

Characteristics

- Material: Hexagonal free-cutting steel
- Surface Finishing: Zinc coated; Cr<sup>3+</sup> passivation
- Connection: male/female



CONDASER SHELF SYSTEM

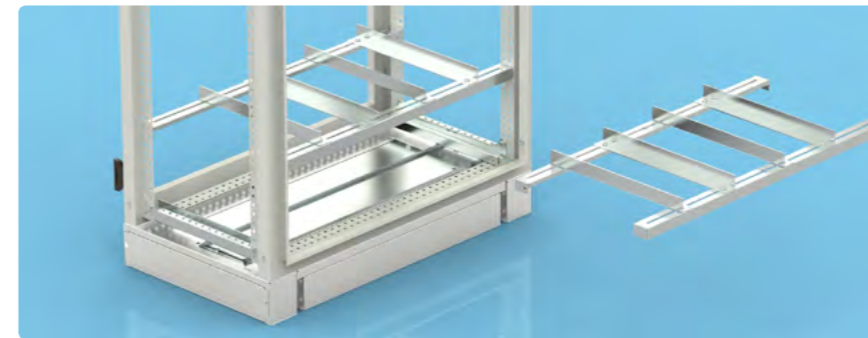
Reference	Width		Depth	Weight kg
	A mm	C mm	mm	
AS RS 06 40	600	400	400	2.1
AS RS 06 50	600	500	500	2.7
AS RS 06 60	600	600	600	3.2
AS RS 06 80	600	800	800	4.4
AS RS 08 40	800	400	400	2.9
AS RS 08 50	800	500	500	3.7
AS RS 08 60	800	600	600	4.6
AS RS 08 80	800	800	800	6.3

Characteristics

- Material: DIN EN 10346 DX51D+Z galvanized
- Thickness: 2 mm

Supply Includes

- Width profiles
- Depth profiles
- Mounting fasteners



PLAN POCKETS

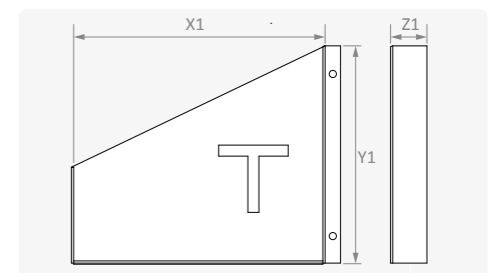
Reference	Width		Length		Weight kg	
	A mm	X1 mm	Y1 mm	Z1 mm		
AS PJ 040	All Dimensions		A4	200	30	0.4
AS PJ 060	600/1200		A3	240	60	1.9
AS PJ 080	800		A3	240	60	2.6

Characteristics

- Material: DIN EN 10130 DC01 CCRS
- Surface Finishing: RAL7035w powder coating
- Thickness: 1.5 mm

Supply Includes

- Mounting fasteners to fix door reinforcement frame



INCOMING CABLE ORGANIZERS

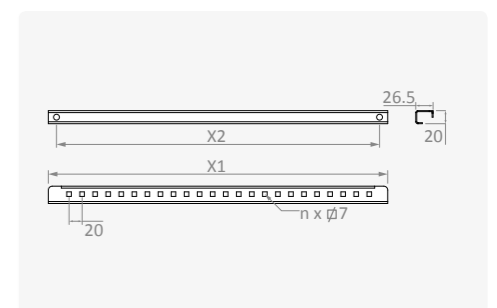
Reference	Width	Length	Connection	Connection	Weight kg
	A mm	X1 mm	X2 mm	n pcs	
AS KA 040	400	320	295	14	0.2
AS KA 060	600	520	495	24	0.2
AS KA 080	800	720	695	34	0.2
AS KA 100	1000	920	895	44	0.3
AS KA 120	1200	1120	1095	64	0.3

Characteristics

- Material: DIN EN 10327 DX51D+Z galvanized
- Thickness: 2 mm

Supply Includes

- Mounting screws

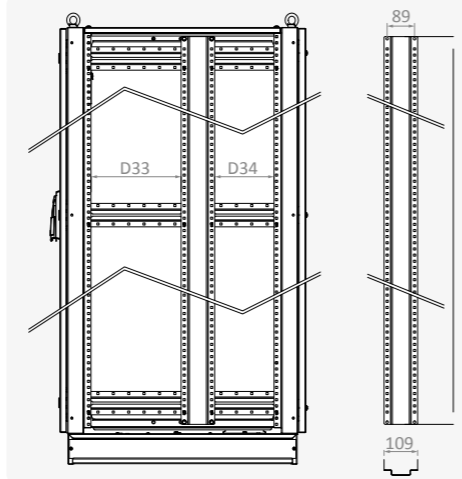


DEPTH PARTITION

Reference	Height		Length		C=800mm For Useful Area		C=1000mm For Useful Area		Weight kg
	B mm	Y1 mm	D33 mm	D34 mm	D33 mm	D34 mm	D33 mm	D34 mm	
AS DAP 060	600	540	193/293	293/193	293/393	393/293			1.1
AS DAP 080	800	740	193/293	293/193	293/393	393/293			1.6
AS DAP 100	1000	940	193/293	293/193	293/393	393/293			2.0
AS DAP 120	1200	1140	193/293	293/193	293/393	393/293			2.4
AS DAP 150	1500	1440	193/293	293/193	293/393	393/293			3.0
AS DAP 180	1800	1740	193/293	293/193	293/393	393/293			3.6
AS DAP 200	2000	1940	193/293	293/193	293/393	393/293			4.1

Characteristics	
Material	DIN EN 10327 DX51D+Z galvanized
Thickness	2 mm

Supply Includes  
 ■ Mounting screws

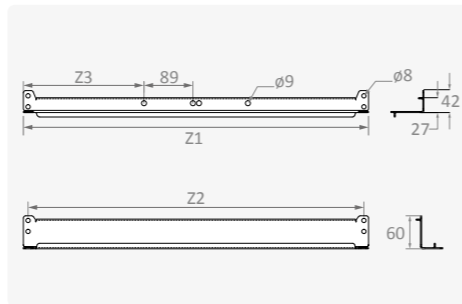


DEPTH SUPPORT PROFILE for DEPTH PARTITION

Reference	Depth	Length	Connection			Weight kg
	C mm	Z1 mm	Z2 mm	Z3 mm		
AS DDAP 080	800	628	611	219.5	0.98	
AS DDAP 100	1000	828	811	219.5	1.3	

Characteristics	
Material	DIN EN 10327 DX51D+Z galvanized
Thickness	2 mm

Supply Includes  
 ■ Frame fasteners

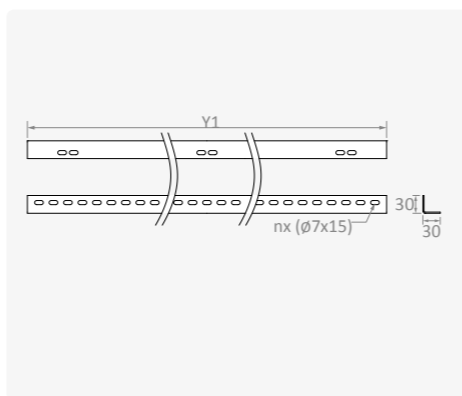


"L" PROFILE

Reference	Height	Length	Connection	Weight kg
	B mm	Y1 mm	n pcs	
AS FB 0150	1500	1340	53	1.1
AS FB 0180	1800	1640	65	1.3
AS FB 0200	2000	1840	73	1.5

Characteristics	
Material	DIN EN 10327 DX51D+Z galvanized
Thickness	2 mm

Supply Includes  
 ■ Mounting fasteners

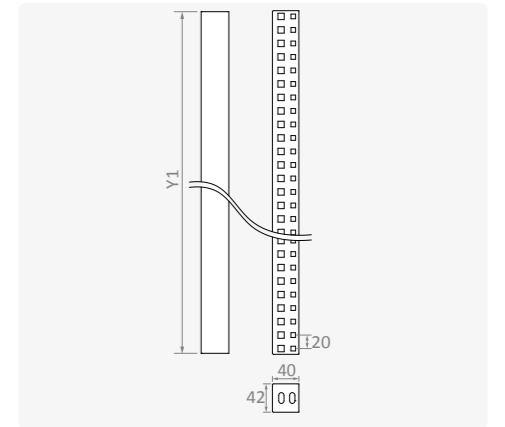


PARTITION PROFILE

Reference	Width / Height		Length	Weight kg
	A/B mm	Y1 mm	Y1 mm	
AS AP 060	600		554	0.7
AS AP 080	800		754	0.9
AS AP 100	1000		954	1.1
AS AP 120	1200		1154	1.3
AS AP 150	1500		1454	1.8
AS AP 180	1800		1754	2.1
AS AP 200	2000		1954	2.3

Characteristics	
Material	DIN EN 10327 DX51D+Z galvanized
Thickness	2 mm

Supply Includes  
 ■ Frame fasteners



LAPTOP TRAY

Reference	Width	Weight kg	Characteristics		Supply Includes
	A mm		Material	DIN EN 10130 DC01 CCRS	
AS LT 010	600 / 1200	2.3	Surface Finishing	RAL7035w powder coating	■ Laptop tray ■ Mounting fasteners to fix to door reinforcement frame
AS LT 020	800	3.2	Thickness	2 mm	
AS LT 030	1000	2.1			



KEYBOARD FOLD-OUT TRAY (ON DOOR)

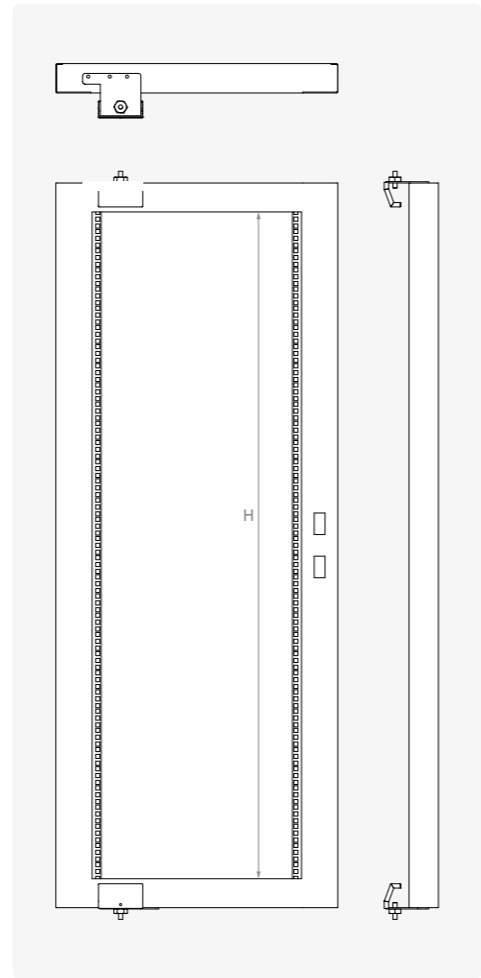
Reference	Width	Characteristics	
	A mm	Material	DIN EN 10130 DC01 CCRS
AS KR 060	600 / 800	Surface Finishing	RAL7035w powder coating
		Thickness	1.5 mm
		Supply Includes	
		■ Mounting fasteners	



SWING FRAME

Reference	Width		Height	Swing Frame
	A	B	H	
	mm		U	
AS SF 06 29U	600	1500	29U	
AS SF 06 36U	600	1800	36U	
AS SF 06 40U	600	2000	40U	
AS SF 08 29U	800	1500	29U	
AS SF 08 36U	800	1800	36U	
AS SF 08 40U	800	2000	40U	

Characteristics	
Material	DIN EN 10130 DC01 CCRS DIN EN 10327 DX51D+Z galvanized
Surface Finishing	RAL7035w powder coating
Thickness	2 mm
Supply Includes	
Mounting fasteners	
* 1U = 44.45 mm	



BACK TO BACK JOINING KIT

Reference	Width		Height
	A	B	
	mm		mm
AS BB JK 04 18	400	1800	
AS BB JK 04 20	400	2000	
AS BB JK 06 15	600	1500	
AS BB JK 06 18	600	1800	
AS BB JK 06 20	600	2000	
AS BB JK 08 15	800	1500	
AS BB JK 08 18	800	1800	
AS BB JK 08 20	800	2000	
AS BB JK 10 18	1000	1800	
AS BB JK 10 20	1000	2000	
AS BB JK 12 18	1200	1800	
AS BB JK 12 20	1200	2000	

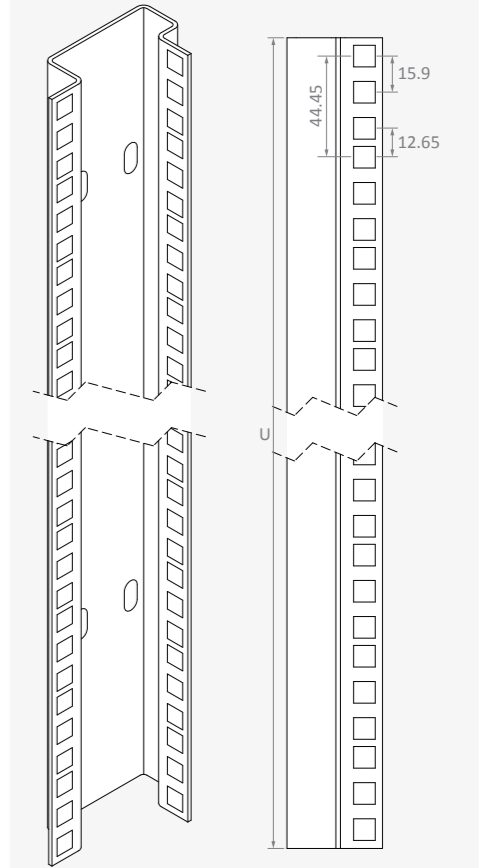
Characteristics		Supply Includes
Material	DIN EN 10130 DC01 CCRS	Mounting fasteners
Surface Finishing	RAL7035w powder coating	
Thickness	2 mm	



19" PROFILES

Reference	Length	Height
		B
		mm
EC PR 0600	12U	600
EC PR 0900	18U	900
EC PR 1200	24U	1200
EC PR 1500	32U	1500
EC PR 1800	39U	1800
EC PR 2000	43U	2000

Characteristics	
Material	DIN EN 10327 DX51D+Z galvanized
Thickness	1.5 mm
* 1U = 44.45 mm	



BUSBAR SECTIONS

Reference	Width		Depth
	A	C	
	mm		mm
AS BM 04 40	400	400	
AS BM 04 50	400	500	
AS BM 04 60	400	600	
AS BM 04 80	400	800	
AS BM 06 40	600	400	
AS BM 06 50	600	500	
AS BM 06 60	600	600	
AS BM 06 80	600	800	
AS BM 08 40	800	400	
AS BM 08 50	800	500	
AS BM 08 60	800	600	
AS BM 08 80	800	800	
AS BM 10 40	1000	400	
AS BM 10 50	1000	500	
AS BM 10 60	1000	600	
AS BM 10 80	1000	800	
AS BM 12 40	1200	400	
AS BM 12 50	1200	500	
AS BM 12 60	1200	600	
AS BM 12 80	1200	800	

Characteristics		Supply Includes
Material	DIN EN 10130 DC01 CCRS	Mounting fasteners
Surface Finishing	RAL7035w powder coating	
Thickness	1.5 mm	



SCREW TYPE COVER PLATES

Reference	Width		Length		Useful Area			Weight kg
	A mm	X1 mm	Y1 mm	X2 mm	X3 Module *	X4 mm		
AS PL 60 10	600	468	98	425	---	440	0.4	
AS PL 60 12	600	468	118	425	---	440	0.4	
AS PL 60 16	600	468	158	425	---	440	0.7	
AS PL 80 10	800	668	98	625	---	640	0.6	
AS PL 80 12	800	668	118	625	---	640	0.7	
AS PL 80 16	800	668	158	625	---	640	0.9	
AS PL 60 16W	600	468	158	---	22	440	0.5	
AS PL 80 16W	800	668	158	---	33	640	0.7	

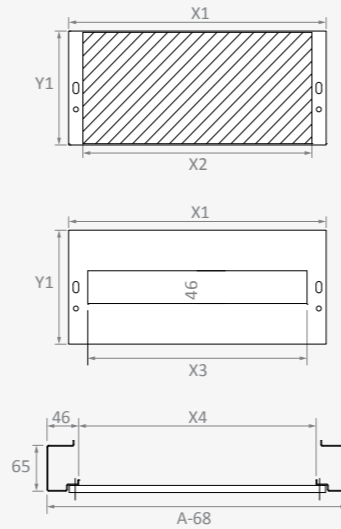
Characteristics

- Material: DIN EN 10130 DC01 CCRS
- Surface Finishing: RAL7035w powder coating
- Thickness: 1.0 mm

Supply Includes

- Cover plate profile mounting screws and plastic nuts
- Handles

\* 1 Module: 18mm



HINGED TYPE COVER PLATES

Reference	Width		Length		Useful Area			Weight kg
	A mm	Type	X1 mm	Y1 mm	X2 mm	X3 Module *	X4 mm	
AS PS 40 02	400	Type1	280	25	205	---	250	0.1
AS PS 40 10	400	Type2	280	100	205	---	250	0.4
AS PS 40 15	400	Type2	280	150	205	---	250	0.7
AS PS 40 20	400	Type2	280	200	205	---	250	1.0
AS PS 40 30	400	Type2	280	300	205	---	250	1.6
AS PS 40 40	400	Type3	280	400	205	---	250	2.2
AS PS 40 50	400	Type3	280	500	205	---	250	2.8
AS PS 60 02	600	Type1	480	25	405	---	450	0.2
AS PS 60 10	600	Type2	480	100	405	---	450	0.7
AS PS 60 15	600	Type2	480	150	405	---	450	1.0
AS PS 60 20	600	Type2	480	200	405	---	450	1.3
AS PS 60 30	600	Type2	480	300	405	---	450	1.9
AS PS 60 40	600	Type3	480	400	405	---	450	2.5
AS PS 60 50	600	Type3	480	500	405	---	450	3.1
AS PS 61 20	600	Full-Height	480	1100	405	---	450	7.5
AS PS 61 50	600	Full-Height	480	1400	405	---	450	9.4
AS PS 61 80	600	Full-Height	480	1700	405	---	450	11.3
AS PS 62 00	600	Full-Height	480	1900	405	---	450	12.6
AS PS 80 02	800	Type1	680	25	605	---	650	0.3
AS PS 80 10	800	Type2	680	100	605	---	650	1.0
AS PS 80 15	800	Type2	680	150	605	---	650	1.3
AS PS 80 20	800	Type2	680	200	605	---	650	1.6
AS PS 80 30	800	Type2	680	300	605	---	650	2.3
AS PS 80 40	800	Type3	680	400	605	---	650	2.9
AS PS 80 50	800	Type3	680	500	605	---	650	3.5
AS PS 81 20	800	Full-Height	680	1100	605	---	650	8.6
AS PS 81 50	800	Full-Height	680	1400	605	---	650	10.9
AS PS 81 80	800	Full-Height	680	1700	605	---	650	13.2
AS PS 82 00	800	Full-Height	680	1900	605	---	650	14.8
AS PS 40 15W	400	Type4	280	150	---	11	250	0.6
AS PS 60 15W	600	Type4	480	150	---	22	450	0.9
AS PS 80 15W	800	Type4	680	150	---	33	650	1.2

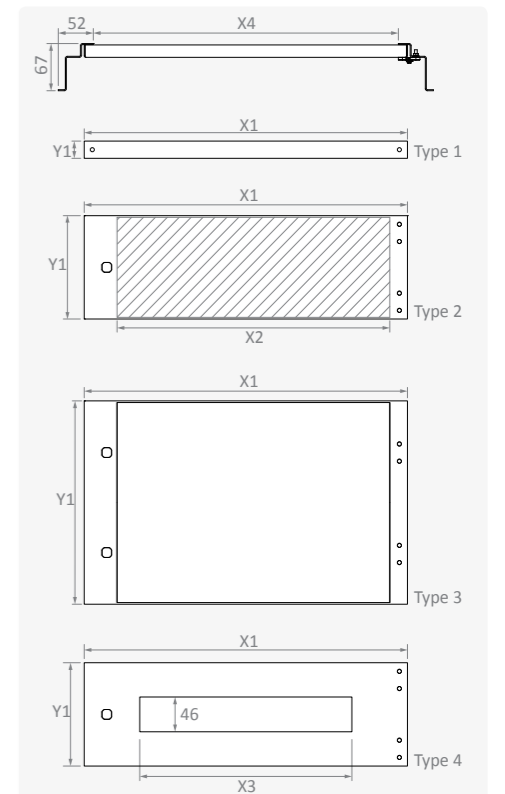
Characteristics

- Material: DIN EN 10130 DC01 CCRS
- Surface Finishing: RAL7035w powder coating
- Thickness: 1.2 mm

Supply Includes

- Cover plate
- Lock (for hinge type)
- Hinge (for hinge type)

\* 1 Module: 18mm



SCREW TYPE COVER PLATE PROFILE

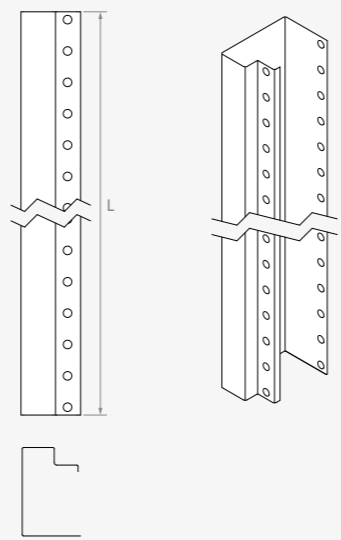
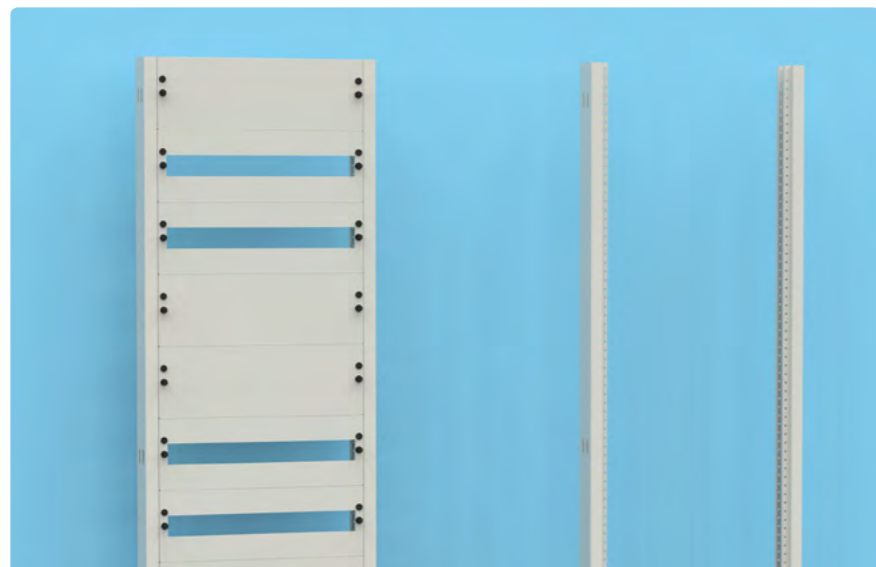
Reference	Height	Length	Weight kg
	B mm	L mm	
AS PRD 060	600	550	0.5
AS PRD 090	900	850	0.9
AS PRD 120	1200	1150	1.4
AS PRD 150	1500	1450	1.8
AS PRD 180	1800	1750	2.2
AS PRD 200	2000	1950	2.5

Characteristics

- Material: DIN EN 10130 DC01 CCRS
- Surface Finishing: RAL7035w powder coating
- Thickness: 1.5 mm

Supply Includes

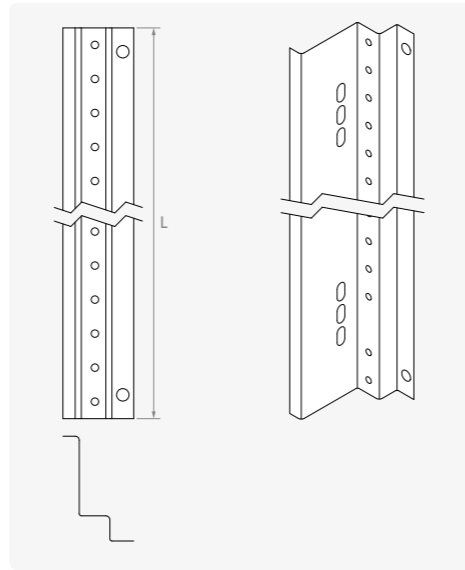
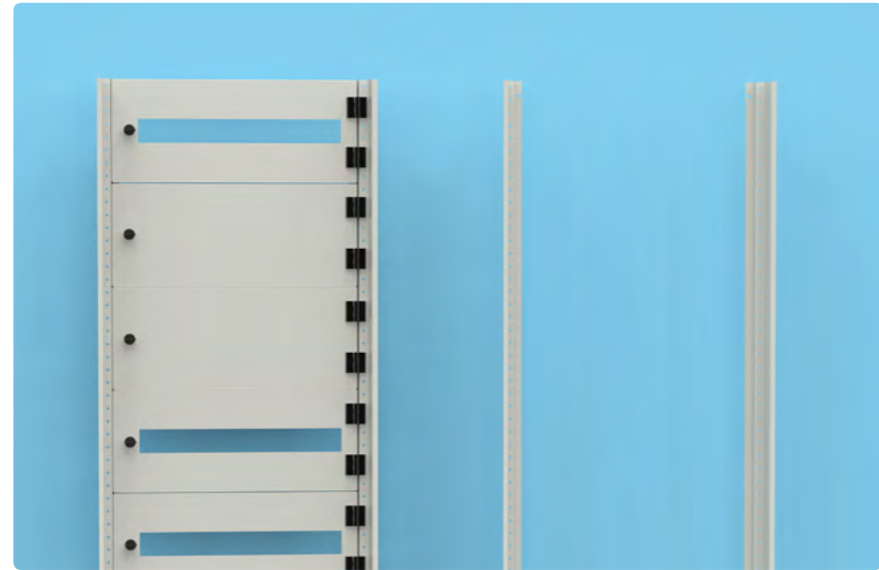
- Mounting fasteners



HINGED TYPE COVER PLATES PROFILE

Reference	Height	Length	Weight kg/packet
	B mm	L mm	
AS PP 060	600	550	1.5
AS PP 090	900	850	2.3
AS PP 120	1200	1150	3.1
AS PP 150	1500	1450	3.9
AS PP 180	1800	1750	4.6
AS PP 200	2000	1950	5.2

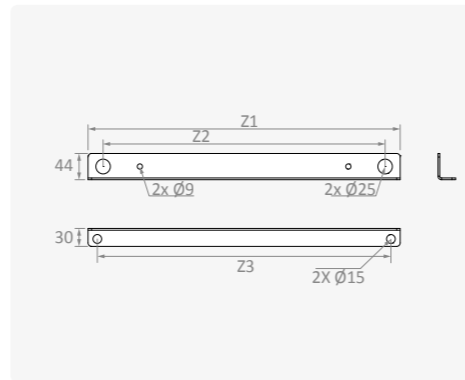
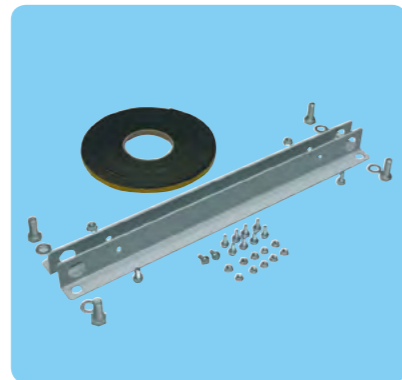
Characteristics	
Material	DIN EN 10130 DC01 CCRS
Surface Finishing	RAL7035w powder coating
Thickness	1.5 mm
Supply Includes	
Mounting fasteners	



JOINING & LIFTING SET

Reference	Depth	Length	Connection	Weight kg/set
	C mm	Z1 mm	Z2 mm	
AS TP 040	400	340	287	1.4
AS TP 050	500	440	387	1.7
AS TP 060	600	540	487	2.1
AS TP 080	800	740	687	2.7

Characteristics	
Material	DIN EN 10130 DC01 CCRS
Surface Finishing	RAL7035w powder coating
Thickness	3 mm
Supply Includes	
2 pcs lifting and joining profiles and fasteners	
10 m 10x3 mm EPDM gasket	
Frame fasteners	



JOINING SET

Reference	Connection	Diameter	Weight kg/set
AS BK 020	M12	ø 25	1.0

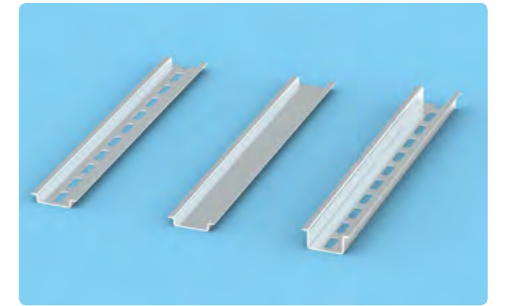
Characteristics		Supply Includes	
Material	DIN EN 10025 S235 JR	2 pcs lifting and joining profiles and fasteners	
Surface Finishing	Zinc coated Cr <sup>3+</sup> passivation	10 m 10x3 mm EPDM gasket	
Thickness	5 mm	Frame fasteners	



DIN RAILS

Reference	Width	Height	Hole	Length	Weight kg/pcs
	mm	mm	Yes/No	m	
MR KL 500603	35	7.5	No	2	0.7
MR KL 500604	35	7.5	Yes	2	0.7
MR KL 500609	35	15	Yes	2	1.2

Characteristics	
Material	DIN EN 10130 DC01 CCRS
Surface Finishing	Zinc coated Cr <sup>3+</sup> passivation
Standards	DIN EN 60715



SLIDE SUPPORT

Reference	Weight	Characteristics	
	kg	Material	% 30 Fibre glass reinforced nylon 6
HD PA00000040	0.04	Supply Includes	Slide support
			M6x... Screws



EYE BOLT

Reference	Connection	Int. Diameter	Packet	Weight kg/packet
			pcs/packet	
AS AH 020	M12	ø 30	4	1.0

Characteristics	
Material	C15E Forged steel
Surface Finishing	Zinc coated Cr+3 passivation
Standards	DIN 580



LOCKS & HINGES

Reference	Description	1	2	3	4
KIEMANKQPS2M0	1 AS Lock				
MNAS000010	2 AS Hinge				
KIMS1661221	3 Cover plate lock				
MNMS299121	4 Cover plate hinge				

SPECIAL LOCKS AND KEYS

Reference	Key Type	Key Code
KIMS0601115211	5mm Double-bit	KI AN 0100
KIMS065110522	6,5mm Triangular	KIMSN06737
KIMS0621122	8mm Triangular	KIMSN06738
KIMS0622021	7mm Square	KIMSN06727
KIEMD5KQZS2M1	Special	KIEM100441
KIEMKEZQZS2M0	Padlock	

EARTHING CABLE

Reference	Material	Cross Section	Length mm	Connection	Packet	Weight kg/packet
		mm <sup>2</sup>			pcs/packet	
KB TP 16092750	Nickel plated, braided copper conductor	16	275	M8-M8	50	0.2
KB TP 16093500		16	320	M8-M8	50	0.2

