



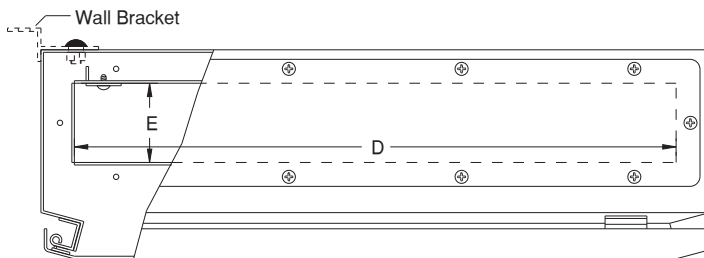
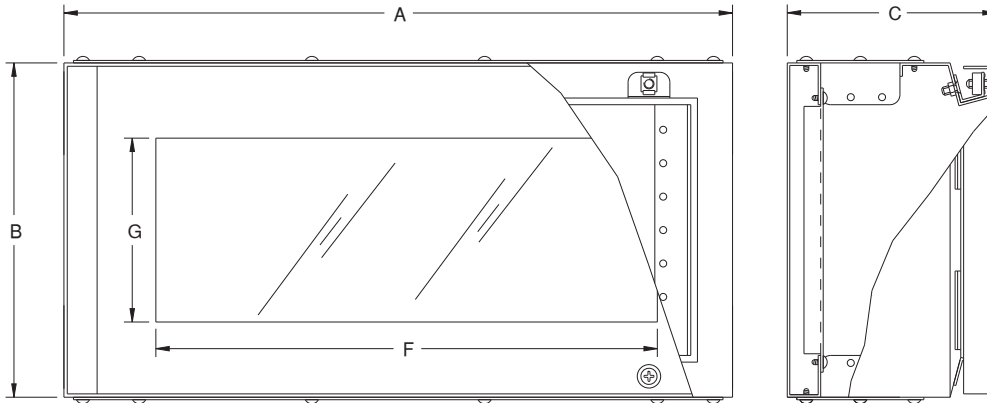
Width A (mm)	Height B (mm)	Depth C (mm)	Enclosures Reference No	Weight (kg)	Sizes			
					D (mm)	E (mm)	F (mm)	G (mm)
300	200	125	TB 302012	3.6	260	47	200	110
	300	125	TB 303012	4.5	260	47	200	210
400	200	125	TB 402012	4.4	360	47	300	110
	300	150	TB 403015	5.9	360	72	300	210
	400	150	TB 404015	7.0	360	72	300	310

Characteristics :

- Sheet steel enclosure : 1.2 mm
- glazed door : 1.2 mm
- Foamed-in door sealing gasket.
- Top and bottom gland plates.
- Concealed hinges.
- 165° door opening.
- IP 55 protection (TS 3033, EN 60529).
- Powder coating (RAL 7032w).

On Request :

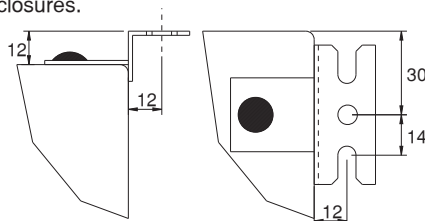
- Special colour.
- Special mounting plate.
- Special sizes.
- Solid steel door.
- Pre-punching.



Wall Brackets

Fastens to rear holes in the enclosures.

Reference No
AXKL010



Material : Sheet steel, zinc plated, colour passivated (Cr⁺⁶ free).

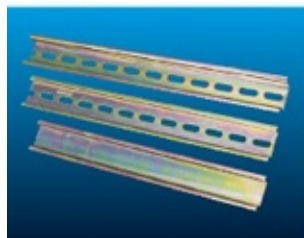
Support Rails

Support Rails (DIN 46277 - EN 50022)

Support Rails Reference No	Dimensions (mm)		
	Width	Height	Length
MR KL500604	35	7.5	2000
MR KL500603*	35	7.5	2000
MR KL500609	35	15	2000

* Support rail without holes.

Material : Sheet steel, zinc plated, colour passivated (Cr⁺⁶ free).



Cage-Nut (M6)

Reference No
HDSM0621

